

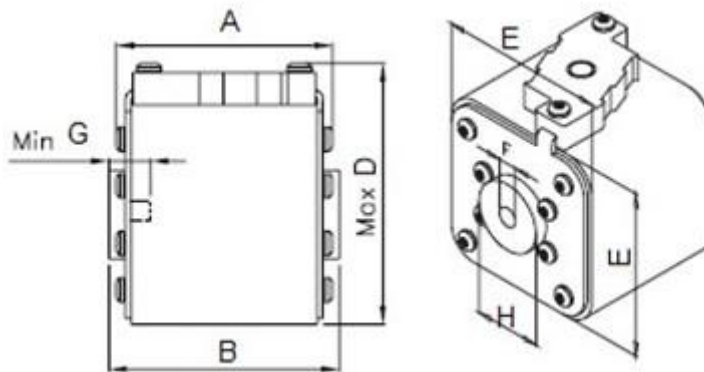
Main Characteristics 主要技术参数 电压 Voltage: 550VAC ~ 690VAC 电流: from 40A to 2000A 类别: aR

Size 瓷管代号	Catalog Numbers 订货号	Designation Type 型号规格	Electrical Characteristics 电气特性				
		_BKN/ 51 Indicator for Micro 中部指示	Ampere 电流 (A)	Voltage 电压 (V)	Pre-arcing 弧前 I ² t (A ² S)	Total 熔断 I ² t @ Un(A ² S)	Watts Loss 功(W)
0	109M3458	KSP0-40A/690VAC0BKN51	40A	690VAC	40	270	9
	109M3459	KSP0-50A/690VAC0BKN51	50A	690VAC	77	515	11
	109M3460	KSP0-63A/690VAC0BKN51	63A	690VAC	115	770	14
	109M3461	KSP0-80A/690VAC0BKN51	80A	690VAC	185	1250	18
	109M3462	KSP0-100A/690VAC0BKN51	100A	690VAC	360	2450	21
	109M3463	KSP0-125A/690VAC0BKN51	125A	690VAC	550	3700	26
	109M3464	KSP0-160A/690VAC0BKN51	160A	690VAC	1100	7500	30
	109M3465	KSP0-200A/690VAC0BKN51	200A	690VAC	2200	15000	35
	109M3466	KSP0-250A/690VAC0BKN51	250A	690VAC	4200	28500	40
	109M3467	KSP0-315A/690VAC0BKN51	315A	690VAC	7000	46500	50
	109M3468	KSP0-350A/690VAC0BKN51	350A	690VAC	10000	68500	55
	109M3469	KSP0-400A/690VAC0BKN51	400A	690VAC	15000	105000	60
	109M3470	KSP0-450A/690VAC0BKN51	450A	690VAC	21000	140000	65
	109M3471	KSP0-500A/690VAC0BKN51	500A	690VAC	27000	180000	70
	109M3472	KSP0-550A/690VAC0BKN51	550A	690VAC	34000	230000	75
109M3473	KSP0-630A/690VAC0BKN51	630A	690VAC	48500	325000	80	
1	109M4458	KSP1-200A/690VAC1BKN51	200A	690VAC	1650	11500	45
	109M4459	KSP1-250A/690VAC1BKN51	250A	690VAC	3100	21000	55
	109M4460	KSP1-315A/690VAC1BKN51	315A	690VAC	6200	42000	58
	109M4461	KSP1-350A/690VAC1BKN51	350A	690VAC	8500	59000	60
	109M4462	KSP1-400A/690VAC1BKN51	400A	690VAC	13500	91500	65
	109M4463	KSP1-450A/690VAC1BKN51	450A	690VAC	17000	120000	70
	109M4464	KSP1-500A/690VAC1BKN51	500A	690VAC	25000	170000	72
	109M4465	KSP1-550A/690VAC1BKN51	550A	690VAC	34000	230000	75
	109M4466	KSP1-630A/690VAC1BKN51	630A	690VAC	52000	350000	80
	109M4467	KSP1-700A/690VAC1BKN51	700A	690VAC	69500	465000	85
	109M4468	KSP1-800A/690VAC1BKN51	800A	690VAC	105000	725000	95
109M4469	KSP1-900A/550VAC1BKN51	900A	550VAC	155000	850000	100	
2	109M5458	KSP2-400A/690VAC2BKN51	400A	690VAC	11000	74000	65
	109M5459	KSP2-450A/690VAC2BKN51	450A	690VAC	15500	105000	70
	109M5460	KSP2-500A/690VAC2BKN51	500A	690VAC	21500	145000	75
	109M5461	KSP2-550A/690VAC2BKN51	550A	690VAC	28000	190000	80
	109M5462	KSP2-630A/690VAC2BKN51	630A	690VAC	41000	275000	90
	109M5463	KSP2-700A/690VAC2BKN51	700A	690VAC	60500	405000	95
	109M5464	KSP2-800A/690VAC2BKN51	800A	690VAC	86000	575000	105

Main Characteristics 主要技术参数 电压Voltage:550VAC~690VAC 电流: from 40A to 2000A 类别: aR

Size 瓷管代号	Catalog Numbers 订货号	Designation Type 型号规格	Electrical Characteristics 电气特性				
		_BKN/ 51 Indicator for Micro 中部指示	Ampere 电流 (A)	Voltage 电压 (V)	Pre-arcing 弧前 I ² t (A ² S)	Total 熔断 I ² t @ Un(A ² S)	Watts Loss 功(W)
2	109M5465	KSP2-900A/690VAC2BKN51	900A	690VAC	125000	840000	110
	109M5466	KSP2-1000A/690VAC2BKN51	1000A	690VAC	180000	1250000	115
	109M5467	KSP2-1100A/600VAC2BKN51	1100A	600VAC	245000	1600000	120
	109M5468	KSP2-1250A/600VAC2BKN51	1250A	600VAC	365000	2400000	130
3	109M6458	KSP3-500A/690VAC3BKN51	500A	690VAC	1400	95000	95
	109M6459	KSP3-550A/690VAC3BKN51	550A	690VAC	19500	135000	100
	109M6460	KSP3-630A/690VAC3BKN51	630A	690VAC	31000	210000	105
	109M6461	KSP3-700A/690VAC3BKN51	700A	690VAC	44500	300000	110
	109M6462	KSP3-800A/690VAC3BKN51	800A	690VAC	69500	465000	115
	109M6463	KSP3-900A/690VAC3BKN51	900A	690VAC	100000	670000	120
	109M6464	KSP3-1000A/690VAC3BKN51	1000A	690VAC	140000	945000	125
	109M6465	KSP3-1100A/690VAC3BKN51	1100A	690VAC	190000	1300000	130
	109M6466	KSP3-1250A/690VAC3BKN51	1250A	690VAC	290000	1950000	140
	109M6467	KSP3-1400A/690VAC3BKN51	1400A	690VAC	370000	2450000	155
	109M6468	KSP3-1500A/690VAC3BKN51	1500A	690VAC	460000	3100000	160
	109M6469	KSP3-1600A/690VAC3BKN51	1600A	690VAC	580000	3900000	160
	109M6470	KSP3-1800A/600VAC3BKN51	1800A	600VAC	880000	5250000	165
	109M6471	KSP3-2000A/550VAC3BKN51	2000A	550VAC	1150000	6350000	175

Dimensions(mm) 安装示意图:



Catalog Numbers 订货代码	A	B	D	E	F	G	H
0BKN/51	54	51±2	58	43	M8	8	Φ17
1BKN/51	54	51±2	66	51	M8	8	Φ20
2BKN/51	54	51±2	75	60	M10	10	Φ25
3BKN/52	54	51±2	90	75	M12	10	Φ30

Main Characteristics 主要技术参数 电压 Voltage: 690VAC ~ 700VAC 电流: from 1000A to 4000A 类别: aR

Size 瓷管代号	Catalog Numbers 订货号	Designation Type 54BKN/65- Indicator for Micro中部微动指示	Electrical Characteristics				
			Rating Ampere 电流(A)	Pre-arcing 弧前 I ² t (A ² S)	Total 熔断 I ² t @660V (A ² S)	Watts Loss In 功耗(W)	Watts Loss 0.8In 功耗(W)
5	109M7078	KSP54-1000A/690VAC54BKN65	1000A	76000	505000	270	135
	109M7079	KSP54-1250A/690VAC54BKN65	1250A	145000	965000	290	140
	109M7080	KSP54-1400A/690VAC54BKN65	1400AA	205000	1400000	300	150
	109M7081	KSP54-1600A/690VAC54BKN65	1600A	305000	2050000	320	160
	109M7082	KSP54-2000A/690VAC54BKN65	2000A	600000	3950000	350	175
	109M7083	KSP54-2500A/690VAC54BKN65	2500A	1200000	7800000	405	203
	109M7084	KSP54-3000A/690VAC54BKN65	3000A	2000000	13500000	440	220
	109M7085	KSP54-3500A/690VAC54BKN65	3500A	3250000	22000000	480	240
	109M7086	KSP54-4000A/600VAC54BKN65	4000A	4700000	28000000	510	255

Provide state of the art protection for high power semiconductors such as diodes, thyristors, GTO, IGCT' and IGBT.

为二极管, 晶闸管, GTO, IGCT 和 IGBT 等大功率半导体提供最先进的保护。

They have pure silver fuse elements embedded in solidified sand which provides optimized I²t and high interrupting rating. All contact surfaces are plated and all hardware nonmagnetic. 99.99%纯银熔体, 高强度石英砂、低 I²t、接触表面均镀有电镀, 所有硬件均为非磁性材料。

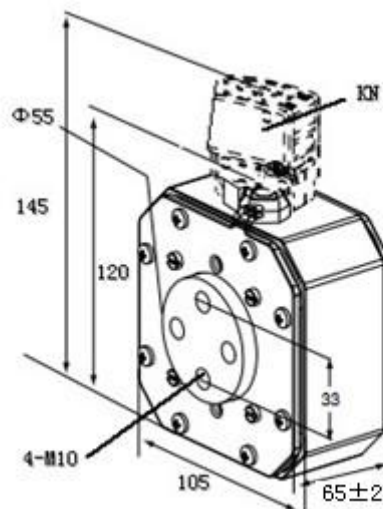
All fuses are standard with a low voltage blown fuse indicator. This indicator can operate a micro-switch which is easily mounted directly onto the fuse in service. 熔断器均采用低压熔断器指示器。指示器可以操作微型开关, 直接安装在熔断器上。

APPLICATIONS 应用: Protection of large rectifiers, inverters, static transfer switch, AC & DC drives and UPS systems. 保护大型整流器, 逆变器, 静电转移开关, 交流和直流驱动器和 UPS 系统。

IEC 269-4 compliance for fuses for worldwide semiconductor applications 执行 IEC269.4 半导体保护熔断器标准。

Cooling method 熔断器冷却方式: Natural cooling 自然冷却、Forced air cooling 强迫风冷(风速 6m/s)、Single Water Cooling 单面水冷、Double Water Cooling 双面水冷。

Dimensions(mm) 安装示意图: size5



Main Characteristics 主要技术参数 电压 Voltage: 550VAC ~ 660VAC 电流: from 1000A to 4000A 类别: aR

Size 瓷瓶 代号	Catalog Numbers 订货号	Designation Type	Electrical Characteristics				
		23BK/55 Type K Indicator 中部微动指示	Ampere 电流 (A)	Voltage 电压 (V)	Pre-arcing 弧前 I^2t (A ² S)	Total 熔断 I^2t @ UnV (A ² S)	Watts Loss 功 (W)
23	109M6898	KSH23-1000A/660VAC23BKE55	1000A	660VAC	79000	530000	220
	109M6899	KSH23-1100A/660V2323BKE55	1100A	660VAC	95000	635000	225
	109M6900	KSH23-1250A/660V2323BKE55	1250A	660VAC	155000	1050000	230
	109M6901	KSH23-1400A/660VAC23BKE55	1400A	660VAC	200000	1350000	240
	109M6902	KSH23-1500A/660VAC23BKE55	1500A	660VAC	240000	1650000	245
	109M6903	KSH23-1600A/660VAC23BKE55	1600A	660VAC	315000	2150000	250
	109M6904	KSH23-1800A/660VAC23BKE55	1800A	660VAC	450000	3050000	250
	109M6905	KSH23-2000A/660VAC23BKE55	2000A	660VAC	625000	4200000	280
	109M6906	KSH23-2200A/660VAC23BKE55	2200A	660VAC	805000	5400000	280
	109M6907	KSH23-2500A/660VAC23BKE55	2500A	660VAC	1250000	8350000	310
	109M6908	KSH23-3000A/660VAC23BKE55	3000A	660VAC	2250000	15500000	340
	109M6909	KSH23-3500A/600VAC23BKE55	3500A	600VAC	3450000	21000000	370
109M6910	KSH23-4000A/500VAC23BKE55	4000A	500VAC	5000000	27500000	410	
23	109M6878	KSH23-1000A/660VAC23BKN55	1000A	660VAC	79000	530000	220
	109M6879	KSH23-1100A/660V2323BKN55	1100A	660VAC	95000	635000	225
	109M6880	KSH23-1250A/660V2323BKN55	1250A	660VAC	155000	1050000	230
	109M6881	KSH23-1400A/660VAC23BKN55	1400A	660VAC	200000	1350000	240
	109M6882	KSH23-1500A/660VAC23BKN55	1500A	660VAC	240000	1650000	245
	109M6883	KSH23-1600A/660VAC23BKN55	1600A	660VAC	315000	2150000	250
	109M6884	KSH23-1800A/660VAC23BKN55	1800A	660VAC	450000	3050000	250
	109M6885	KSH23-2000A/660VAC23BKN55	2000A	660VAC	625000	4200000	280
	109M6886	KSH23-2200A/660VAC23BKN55	2200A	660VAC	805000	5400000	280
	109M6887	KSH23-2500A/660VAC23BKN55	2500A	660VAC	1250000	8350000	310
	109M6888	KSH23-3000A/660VAC23BKN55	3000A	660VAC	2250000	15500000	340
	109M6889	KSH23-3500A/600VAC23BKN55	3500A	600VAC	3450000	21000000	370
109M6890	KSH23-4000A/500VAC23BKN55	4000A	500VAC	5000000	27500000	410	

Provide state of the art protection for high power semiconductors such as diodes, thyristors, GTO, IGCT' and IGBT.

为二极管, 晶闸管, GTO, IGCT 和 IGBT 等大功率半导体提供最先进的保护。

They have pure silver fuse elements embedded in solidified sand which provides optimized I^2t and high interrupting rating. All contact surfaces are plated and all hardware nonmagnetic.

99.99%纯银熔体, 高强度石英砂、低 I^2t 、接触表面均镀有电镀, 所有硬件均为非磁性材料。

All fuses are standard with a low voltage blown fuse indicator. This indicator can operate a micro-switch which is easily mounted directly onto the fuse in service.

熔断器均采用低压熔断器指示器。指示器可以操作微型开关, 直接安装在熔断器上。指示器有 KN 和 KE 两种位置, 任选一种。

Main Characteristics 主要技术参数 电压 Voltage: 550VAC ~ 660VAC 电流: from 1000A to 4000A 类别: aR

APPLICATIONS 应用:

Protection of large rectifiers, inverters, static transfer switch, AC & DC drives and UPS systems.

保护大型整流器, 逆变器, 静电转移开关, 交流和直流驱动器及 UPS 系统。

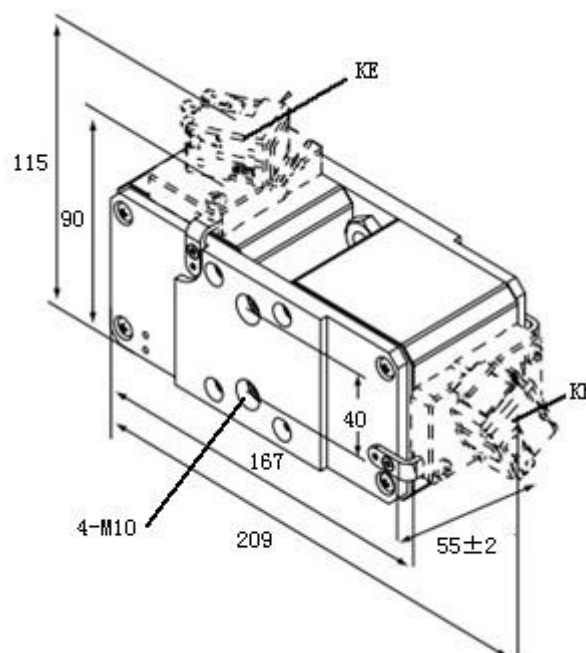
IEC 269-4 compliance for fuses for worldwide semiconductor applications

执行 IEC269.4 半导体保护熔断器标准。

Cooling method 熔断器冷却方式:

Natural cooling 自然冷却、Forced air cooling 强迫风冷(风速 6m/s)、Single Water Cooling 单面水冷、Double Water Cooling 双面水冷。

Dimensions(mm) 安装示意图: size2-3-0



Main Characteristics 主要技术参数 电压 Voltage: 500VAC ~ 690VAC 电流: from 2000A to 7500A 类别: aR

Size 瓷管代号	Catalog Numbers 订货号	Designation Type 型号规格	Electrical Characteristics 电气参数				
		25BK_/60 Type K Indicator 中部指示	Ampere 电流 (A)	Voltage 电压 (V)	Pre-arcing 弧前 I ² t (A ² S)	Total 熔断 I ² t @ Un V (A ² S)	Watts Loss 功 (W)
25	109M7178	KSH25-2000A/690VAC25BKE60	2000A	690VAC	340000	2300000	340
	109M7179	KSH25-2500A/690VAC25BKE60	2500A	690VAC	650000	4350000	390
	109M7180	KSH25-3000A/690VAC25BKE60	3000A	690VAC	1100000	7300000	430
	109M7181	KSH25-3500A/690VAC25BKE60	3500A	690VAC	1800000	12000000	460
	109M7182	KSH25-4000A/690VAC25BKE60	4000A	690VAC	2700000	18000000	490
	109M7183	KSH25-4500A/690VAC25BKE60	4500A	690VAC	3800000	22500000	520
	109M7184	KSH25-5000A/690VAC25BKE60	5000A	690VAC	5450000	36500000	540
	109M7185	KSH25-5500A/690VAC25BKE60	5500A	690VAC	7400000	49500000	560
	109M7186	KSH25-6000A/690VAC25BKE60	6000A	690VAC	9600000	64000000	580
	109M7187	KSH25-6500A/690VAC25BKE60	6500A	690VAC	12500000	83000000	600
	109M7188	KSH25-7000A/690VAC25BKE60	7000A	690VAC	15000000	100000000	630
109M7189	KSH25-7500A/500VAC25BKE60	7500A	500VAC	18500000	93000000	660	
25	109M7158	KSH25-2000A/690VAC25BKN60	2000A	690VAC	340000	2300000	340
	109M7159	KSH25-2500A/690VAC25BKN60	2500A	690VAC	650000	4350000	390
	109M7160	KSH25-3000A/690VAC25BKN60	3000A	690VAC	1100000	7300000	430
	109M7161	KSH25-3500A/690VAC25BKN60	3500A	690VAC	1800000	12000000	460
	109M7162	KSH25-4000A/690VAC25BKN60	4000A	690VAC	2700000	18000000	490
	109M7163	KSH25-4500A/690VAC25BKN60	4500A	690VAC	3800000	22500000	520
	109M7164	KSH25-5000A/690VAC25BKN60	5000A	690VAC	5450000	36500000	540
	109M7165	KSH25-5500A/690VAC25BKN60	5500A	690VAC	7400000	49500000	560
	109M7166	KSH25-6000A/690VAC25BKN60	6000A	690VAC	9600000	64000000	580
	109M7167	KSH25-6500A/690VAC25BKN60	6500A	690VAC	12500000	83000000	600
	109M7168	KSH25-7000A/690VAC25BKN60	7000A	690VAC	15000000	100000000	630
109M7169	KSH25-7500A/500VAC25BKN60	7500A	500VAC	18500000	93000000	660	

Provide state of the art protection for high power semiconductors such as diodes, thyristors, GTO, IGCT' and IGBT.

为二极管, 晶闸管, GTO, IGCT 和 IGBT 等大功率半导体提供最先进的保护。

They have pure silver fuse elements embedded in solidified sand which provides optimized I²t and high interrupting rating. All contact surfaces are plated and all hardware nonmagnetic.

99.99%纯银熔体, 高强度石英砂、低 I²t、接触表面均镀有电镀, 所有硬件均为非磁性材料。

All fuses are standard with a low voltage blown fuse indicator. This indicator can operate a micro-switch which is easily mounted directly onto the fuse in service.

熔断器均采用低压熔断器指示器。指示器可以操作微型开关, 直接安装在熔断器上。指示器有 KN 和 KE 两种位置, 任选一种。

APPLICATIONS 应用: Protection of large rectifiers, inverters, static transfer switch, AC & DC drives and UPS systems.

保护大型整流器, 逆变器, 静电转移开关, 交流和直流驱动器 and UPS 系统。

称: 西安开尔泰电力电子制造有限公司 主页: [Http://www.kaiertfuse.com](http://www.kaiertfuse.com) 邮箱: kaiert@sina.com

电话: 029-86319515、029-86214655、029-86113970 传真: 029-86629371 手机: 13109528822

地址: 西安市经济技术开发区草滩生态产业园草滩三路 588 号 A5-3 QQ:645788944 邮编: 710018

Main Characteristics 主要技术参数 电压 Voltage: 500VAC ~ 690VAC 电流: from 2000A to 7500A 类别: aR

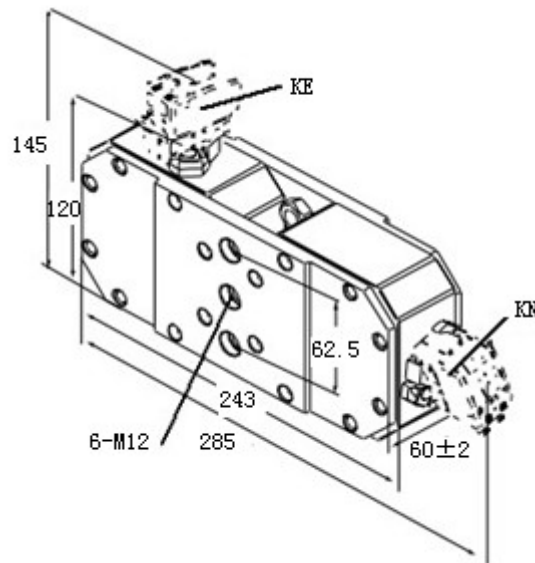
IEC 269-4 compliance for fuses for worldwide semiconductor applications

执行 IEC269.4 半导体保护熔断器标准。

Cooling method 熔断器冷却方式:

Natural cooling 自然冷却、Forced air cooling 强迫风冷(风速 6m/s)、Single Water Cooling 单面水冷、Double Water Cooling 双面水冷。

Dimensions(mm) 安装示意图: size2-5-0



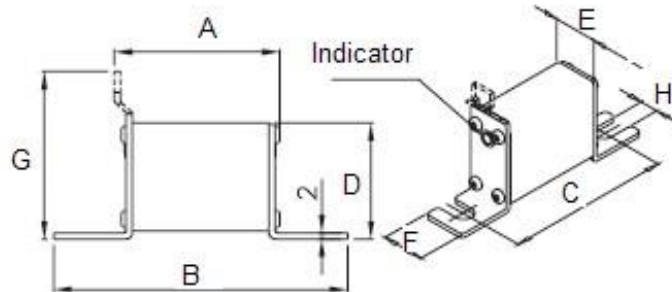
Main Characteristics 主要技术参数 电压 Voltage: 690VAC~700VAC 电流: from 10A to 400A 类别: aR

Size 瓷管代号	Catalog Numbers 订货号	Designation Type 型号规格	Electrical Characteristics 电气特性				
		80/TN Indicator 微动指示	Ampere 电流(A)	Voltage 电压(V)	Pre-arcing 弧前 I ² t (A ² s)	Total 熔断 I ² t @ 660V(kA ² s)	Power 功耗 P _n (W)
000	109M1308	KSZ00-10A/690VAC000TN/80	10A	690VAC	3.8	25.5	3.0
	109M1309	KSZ00-16A/690VAC000TN/80	16A	690VAC	7.2	48	5.5
	109M1310	KSZ00-20A/690VAC000TN/80	20A	690VAC	11.5	78	7
	109M1311	KSZ00-25A/690VAC000TN/80	25A	690VAC	19	130	9
	109M1312	KSZ00-32A/690VAC000TN/80	32A	690VAC	40	270	10
	109M1313	KSZ00-40A/690VAC000TN/80	40A	690VAC	69	460	12
	109M1314	KSZ00-50A/690VAC000TN/80	50A	690VAC	115	770	15
	109M1315	KSZ00-63A/690VAC000TN/80	63A	690VAC	215	1450	16
	109M1316	KSZ00-80A/690VAC000TN/80	80A	690VAC	380	2550	19
	109M1317	KSZ00-100A/690VAC000TN/80	100A	690VAC	695	4650	24
	109M1318	KSZ00-125A/690VAC000TN/80	125A	690VAC	1200	8500	28
	109M1319	KSZ00-160A/690VAC000TN/80	160A	690VAC	2300	16000	32
	109M1321	KSZ00-200A/690VAC000TN/80	200A	690VAC	4200	28000	37
	109M1321	KSZ00-250A/690VAC000TN/80	250A	690VAC	7750	51500	42
109M1322	KSZ00-315A/690VAC000TN/80	315A	690VAC	12000	80500	52	
00	109M2658	KSZ00-25A/690VAC00TN80	25A	690VAC	19	130	6
	109M2659	KSZ00-32A/690VAC00TN80	32A	690VAC	28.5	195	7
	109M2660	KSZ00-40A/690VAC00TN80	40A	690VAC	50	360	9
	109M2661	KSZ00-50A/690VAC00TN80	50A	690VAC	95	640	10
	109M2662	KSZ00-63A/690VAC00TN80	63A	690VAC	170	1200	12
	109M2663	KSZ00-80A/690VAC00TN80	80A	690VAC	310	2100	15
	109M2664	KSZ00-100A/690VAC00TN80	100A	690VAC	620	4150	20
	109M2665	KSZ00-125A/690VAC00TN80	125A	690VAC	1000	6950	25
	109M2666	KSZ00-160A/690VAC00TN80	160A	690VAC	1900	13000	30
	109M2667	KSZ00-200A/690VAC00TN80	200A	690VAC	3400	23000	35
	109M2668	KSZ00-250A/690VAC00TN80	250A	690VAC	6250	42000	45
	109M2669	KSZ00-315A/690VAC00TN80	315A	690VAC	10000	68500	55
	109M2670	KSZ00-350A/690VAC00TN80	350A	690VAC	13500	91500	60
	109M2671	KSZ00-400A/690VAC00TN80	400A	690VAC	18000	125000	70



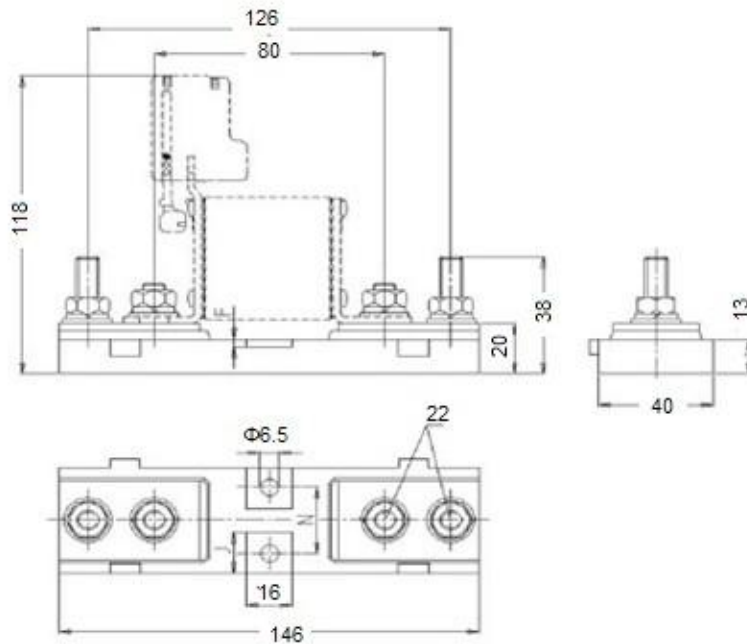
Main Characteristics 主要技术参数 电压 Voltage: 690VAC~700VAC 电流: from 10A to 400A 类别: aR

Dimensions(mm) 安装示意图: size:000/00



Type: 000TN/80; 00TN/80 Dimensions(mm)								
size	A	B	C	D	E	F	G	H
000/80	54	100	80	51	20	20	67	10
00/80	54	98	80	51	30	28	67	10

Fuse holder Dimensions 熔断器底座(mm): FBZ00- Fuse holder



Main Characteristics 主要技术参数 电压 Voltage: 690VAC~700VAC 电流: from 40A to 630A 类别: aR

Size 瓷管代号	Catalog Numbers 订货号	Designation Type 型号规格 KN/Type K Indicator for Micro 中部微动指示	Electrical Characteristics 电气特性				
			Ampere 电流(A)	Voltage 电压(V)	Pre-arcing 弧前 I^2t (A ² s)	Total 熔断 I^2t V (A ² s)	Power 功耗 P _n (W)
0	109M3108	KSZ0-40A/690VAC0KN80	40A	690VAC	40	270	9
	109M3109	KSZ0-50A/690VAC0KN80	50A	690VAC	77	515	11
	109M3110	KSZ0-63A/690VAC0KN80	63A	690VAC	115	770	14
	109M3111	KSZ0-80A/690VAC0KN80	80A	690VAC	185	1250	18
	109M3112	KSZ0-100A/690VAC0KN80	100A	690VAC	360	2450	21
	109M3113	KSZ0-125A/690VAC0KN80	125A	690VAC	550	3700	26
	109M3114	KSZ0-160A/690VAC0KN80	160A	690VAC	1100	7500	30
	109M3115	KSZ0-200A/690VAC0KN80	200A	690VAC	200	2200	35
	109M3116	KSZ0-250A/690VAC0KN80	250A	690VAC	4200	28500	40
	109M3117	KSZ0-315A/690VAC0KN80	315A	690VAC	7000	46500	50
	109M3118	KSZ0-350A/690VAC0KN80	350A	690VAC	10000	68500	55
	109M3119	KSZ0-400A/690VAC0KN80	400A	690VAC	15000	105000	60
	109M3120	KSZ0-450A/690VAC0KN80	450A	690VAC	21000	140000	65
	109M3121	KSZ0-500A/690VAC0KN80	500A	690VAC	27000	180000	70
	109M3122	KSZ0-550A/690VAC0KN80	550A	690VAC	34000	230000	75
109M3123	KSZ0-630A/690VAC0KN80	630A	690VAC	48500	325000	80	
0	109M3258	KSZ0-40A/690VAC0KN110	40A	690VAC	40	270	9
	109M3259	KSZ0-50A/690VAC0KN110	50A	690VAC	77	515	11
	109M3260	KSZ0-63A/690VAC0KN110	63A	690VAC	115	770	14
	109M3261	KSZ0-80A/690VAC0KN110	80A	690VAC	185	1250	18
	109M3262	KSZ0-100A/690VAC0KN110	100A	690VAC	360	2450	21
	109M3263	KSZ0-125A/690VAC0KN110	125A	690VAC	550	3700	26
	109M3264	KSZ0-160A/690VAC0KN110	160A	690VAC	1100	7500	30
	109M3265	KSZ0-200A/690VAC0KN110	200A	690VAC	200	2200	35
	109M3266	KSZ0-250A/690VAC0KN110	250A	690VAC	4200	28500	40
	109M3267	KSZ0-315A/690VAC0KN110	315A	690VAC	7000	46500	50
	109M3268	KSZ0-350A/690VAC0KN110	350A	690VAC	10000	68500	55
	109M3269	KSZ0-400A/690VAC0KN110	400A	690VAC	15000	105000	60
	109M3270	KSZ0-450A/690VAC0KN110	450A	690VAC	21000	140000	65
	109M3271	KSZ0-500A/690VAC0KN110	500A	690VAC	27000	180000	70
	109M3272	KSZ0-550A/690VAC0KN110	550A	690VAC	34000	230000	75
109M3273	KSZ0-630A/690VAC0KN110	630A	690VAC	48500	325000	80	

Main Characteristics 主要技术参数 电压 Voltage: 550VAC~700VAC 电流: from 200A to 1250A 类别: aR

Size 瓷管代 号	Catalog Numbers 订货号	Designation Type 型号规格	Electrical Characteristics 电气特性				
		KN_Type Indicator for Micro 中部微动指示	Ampere 电流(A)	Voltage 电压(V)	Pre-arcing 弧前 I ² t (A ² s)	Total 熔断 I ² t @UnV (A ² s)	Power 功耗 P _n (W)
1	109M4108	KSZ1-200A/690VAC1KN80	200A	690VAC	1650	11500	45
	109M4109	KSZ1-250A/690VAC1KN80	250A	690VAC	3100	21000	55
	109M4110	KSZ1-315A/690VAC1KN80	315A	690VAC	6200	42000	58
	109M4111	KSZ1-350A/690VAC1KN80	350A	690VAC	8500	59000	60
	109M4112	KSZ1-400A/690VAC1KN80	400A	690VAC	13500	91500	65
	109M4113	KSZ1-450A/690VAC1KN80	450A	690VAC	17000	120000	70
	109M4114	KSZ1-500A/690VAC1KN80	500A	690VAC	25000	170000	72
	109M4115	KSZ1-550A/690VAC1KN80	550A	690VAC	34000	230000	75
	109M4116	KSZ1-630A/690VAC1KN80	630A	690VAC	52000	350000	80
	109M4117	KSZ1-700A/690VAC1KN80	700A	690VAC	69500	465000	85
	109M4118	KSZ1-800A/690VAC1KN80	800A	690VAC	105000	725000	95
109M4119	KSZ1-900A/600VAC1KN80	900A	690VAC	155000	850000	100	
1	109M4258	KSZ1-200A/690VAC1KN110	200A	690VAC	1650	11500	45
	109M4259	KSZ1-250A/690VAC1KN110	250A	690VAC	3100	21000	55
	109M4260	KSZ1-315A/690VAC1KN110	315A	690VAC	6200	42000	58
	109M4261	KSZ1-350A/690VAC1KN110	350A	690VAC	8500	59000	60
	109M4262	KSZ1-400A/690VAC1KN110	400A	690VAC	13500	91500	65
	109M4263	KSZ1-450A/690VAC1KN110	450A	690VAC	17000	120000	70
	109M4264	KSZ1-500A/690VAC1KN110	500A	690VAC	25000	170000	72
	109M4265	KSZ1-550A/690VAC1KN110	550A	690VAC	34000	230000	75
	109M4266	KSZ1-630A/690VAC1KN110	630A	690VAC	52000	350000	80
	109M4267	KSZ1-700A/690VAC1KN110	700A	690VAC	69500	465000	85
	109M4268	KSZ1-800A/690VAC1KN110	800A	690VAC	105000	725000	95
109M4269	KSZ1-900A/600VAC1KN110	900A	690VAC	155000	850000	100	
2	109M5108	KSZ2-400A/690VAC2KN80	400A	690VAC	11000	74000	65
	109M5109	KSZ2-450A/690VAC2KN80	450A	690VAC	15500	105000	70
	109M5110	KSZ2-500A/690VAC2KN80	500A	690VAC	21500	145000	75
	109M5111	KSZ2-550A/690VAC2KN80	550A	690VAC	28000	190000	80
	109M5112	KSZ2-630A/690VAC2KN80	630A	690VAC	41000	275000	90
	109M5113	KSZ2-700A/690VAC2KN80	700A	690VAC	60500	405000	95
	109M5114	KSZ2-800A/690VAC2KN80	800A	690VAC	86000	575000	105
	109M5115	KSZ2-900A/690VAC2KN80	900A	690VAC	125000	840000	110
	109M5116	KSZ2-1000A/690VAC2KN80	1000A	690VAC	180000	1250000	115
	109M5117	KSZ2-1100A/600VAC2KN80	1100A	600VAC	245000	1600000	120
109M5118	KSZ2-1250A/600VAC2KN80	1250A	600VAC	365000	2400000	130	

Main Characteristics 主要技术参数 电压Voltage:550VAC~700VAC 电流: from 200A to 2000A类别: aR

Size 瓷管代 号	Catalog Numbers 订货号	Designation Type 型号规格 KN_Type Indicator for Micro 中部微动指示	Electrical Characteristics 电气特性				
			Ampere Rating 电流(A)	Voltage 电压(V)	Pre-arcing 弧前 I ² t (A ² s)	Total 熔断 I ² t @Un V (A ² s)	Power 功耗 P _n (W)
2	109M5258	KSZ2-400A/690VAC2KN110	400A	690VAC	11000	74000	65
	109M5259	KSZ2-450A/690VAC2KN110	450A	690VAC	15500	105000	70
	109M5260	KSZ2-500A/690VAC2KN110	500A	690VAC	21500	145000	75
	109M5261	KSZ2-550A/690VAC2KN110	550A	690VAC	28000	190000	80
	109M5262	KSZ2-630A/690VAC2KN110	630A	690VAC	41000	275000	90
	109M5263	KSZ2-700A/690VAC2KN110	700A	690VAC	60500	405000	95
	109M5264	KSZ2-800A/690VAC2KN110	800A	690VAC	86000	575000	105
	109M5265	KSZ2-900A/690VAC2KN110	900A	690VAC	125000	840000	110
	109M5266	KSZ2-1000A/690VAC2KN110	1000A	690VAC	180000	1250000	115
	109M5267	KSZ2-1100A/600VAC2KN110	1100A	600VAC	245000	1600000	120
109M5268	KSZ2-1250A/600VAC2KN110	1250A	600VAC	365000	2400000	130	
3	109M6108	KSZ3-500A/690VAC3KN80	500A	690VAC	14000	95000	95
	109M6109	KSZ3-550A/690VAC3KN80	550A	690VAC	19500	135000	100
	109M6110	KSZ3-630A/690VAC3KN80	630A	690VAC	31000	210000	105
	109M6111	KSZ3-700A/690VAC3KN80	700A	690VAC	44500	300000	110
	109M6112	KSZ3-800A/690VAC3KN80	800A	690VAC	69500	465000	115
	109M6113	KSZ3-900A/690VAC3KN80	900A	690VAC	100000	670000	120
	109M6114	KSZ3-1000A/690VAC3KN80	1000A	690VAC	140000	945000	125
	109M6115	KSZ3-1100A/690VAC3KN80	1100A	690VAC	190000	1300000	130
	109M6116	KSZ3-1250A/690VAC3KN80	1250A	690VAC	290000	1950000	140
	109M6117	KSZ3-1400A/690VAC3KN80	1400A	600VAC	370000	2450000	155
	109M6118	KSZ3-1500A/690VAC3KN80	1500A	600VAC	460000	3100000	160
	109M6119	KSZ3-1600A/690VAC3KN80	1600A	690VAC	580000	3900000	160
109M6120	KSZ3-1800A/600VAC3KN80	1800A	600VAC	880000	†5250000	165	
109M6121	KSZ3-2000A/550VAC3KN80	2000A	550VAC	1150000	*6350000	175	
3	109M6258	KSZ3-500A/690VAC3KN110	500A	690VAC	14000	95000	95
	109M6259	KSZ3-550A/690VAC3KN110	550A	690VAC	19500	135000	100
	109M6260	KSZ3-630A/690VAC3KN110	630A	690VAC	31000	210000	105
	109M6261	KSZ3-700A/690VAC3KN110	700A	690VAC	44500	300000	110
	109M6262	KSZ3-800A/690VAC3KN110	800A	690VAC	69500	465000	115
	109M6263	KSZ3-900A/690VAC3KN110	900A	690VAC	100000	670000	120
	109M6264	KSZ3-1000A/690VAC3KN110	1000A	690VAC	140000	945000	125
	109M6265	KSZ3-1100A/690VAC3KN110	1100A	690VAC	190000	1300000	130
	109M6266	KSZ3-1250A/690VAC3KN110	1250A	690VAC	290000	1950000	140
	109M6267	KSZ3-1400A/690VAC3KN110	1400A	690VAC	370000	2450000	155

Main Characteristics 主要技术参数 电压Voltage:550VAC~700VAC 电流: from 200A to 2000A类别: aR

Size 瓷管 代号	Catalog Numbers 订货号	Designation Type 型号规格 KN_Type Indicator for Micro 中部微动指示	Electrical Characteristics 电气特性				
			Ampere 电流(A)	Voltage 电压(V)	Pre-arcing 弧前 I ² t (A ² s)	Total 熔断 I ² t @ Un V (A ² s)	Power 功耗 P _n (W)
3	109M6268	KSZ3-1500A/690VAC3KN110	1500A	690VAC	460000	3100000	160
	109M6269	KSZ3-1600A/690VAC3KN110	1600A	690VAC	580000	3900000	160
	109M6270	KSZ3-1800A/600VAC3KN110	1800A	600VAC	880000	5250000	165
	109M6271	KSZ3-2000A/550VAC3KN110	2000A	550VAC	1150000	6350000	175

Provide state of the art protection for high power semiconductors such as diodes, thyristors, GTO, IGCT' and IGBT.

为二极管, 晶闸管, GTO, IGCT 和 IGBT 等大功率半导体提供最先进的保护。

They have pure silver fuse elements embedded in solidified sand which provides optimized I²t and high interrupting rating. All contact surfaces are plated and all hardware nonmagnetic.

99.99%纯银熔体, 高强度石英砂、低 I²t、接触表面均镀有电镀, 所有硬件均为非磁性材料。

All fuses are standard with a low voltage blown fuse indicator. This indicator can operate a micro-switch which is easily mounted directly onto the fuse in service.

熔断器均采用低压熔断器指示器。指示器可以操作微型开关, 直接安装在熔断器上。

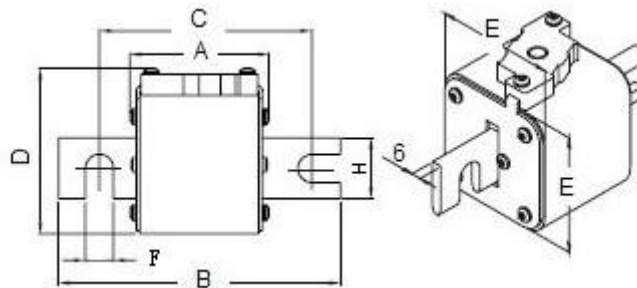
APPLICATIONS 应用: Protection of large rectifiers, inverters, static transfer switch, AC & DC drives and UPS systems.

保护大型整流器, 逆变器, 静电转移开关, 交流和直流驱动器 and UPS 系统。

IEC 269-4 compliance for fuses for worldwide semiconductor applications 执行 IEC269.4 半导体保护熔断器标准。

Cooling method 熔断器冷却方式: Natural cooling 自然冷却、Forced air cooling 强迫风冷(风速 6m/s).

Dimensions(mm) 安装示意图:



Dimensions (mm)

size	A	B	C	D1	E	H	F
0KN/80	54	115	80±2	58	43	22	11
0KN/110	54	136	110±2	58	43	22	11
1KN/80	54	115	80±2	66	51	25	11
1KN/110	54	136	110±2	66	51	25	11
2KN/80	54	115	80±2	75	60	25	11
2KN/110	54	136	110±2	75	60	25	11
3KN/80	54	115	80±2	90	74	30	11
3KN/110	54	136	110±2	90	74	30	11

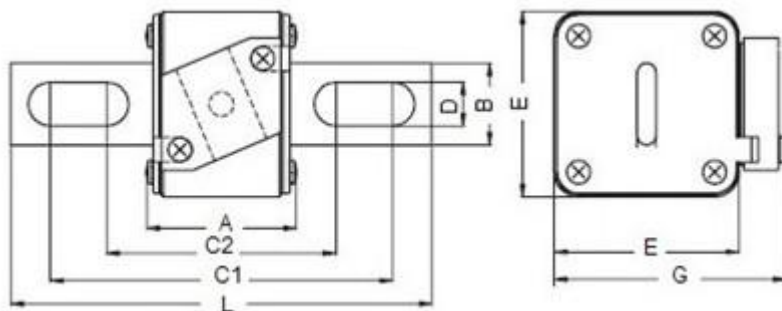
Main Characteristics 主要技术参数 电压 Voltage: 550VAC~700VAC 电流: from 40A to 2000A 类别: aR

Size 瓷管代号	Catalog Numbers 订货号	Designation Type 型号规格 FKE/90 With Indicator 中部微动指示	Electrical Characteristics 电气特性				
			Ampere 电流(A)	Voltage 电压(V)	Pre-arcing 弧前 I ² t(A ² s)	Total 熔断 I ² t @Un V (A ² s)	Power 功耗 P _n (W)
0	109M3658	KSM0-40A/690VAC0FKE90	40A	690VAC	40	270	9
	109M3659	KSM0-50A/690VAC0FKE90	50A	690VAC	77	515	11
	109M3660	KSM0-63A/690VAC0FKE90	63A	690VAC	115	770	14
	109M3661	KSM0-80A/690VAC0FKE90	80A	690VAC	185	1250	18
	109M3662	KSM0-100A/690VAC0FKE90	100A	690VAC	360	2450	21
	109M3663	KSM0-125A/690VAC0FKE90	125A	690VAC	550	3700	26
	109M3664	KSM0-160A/690VAC0FKE90	160A	690VAC	1100	7500	30
	109M3665	KSM0-200A/690VAC0FKE90	200A	690VAC	2200	9500	35
	109M3666	KSM0-250A/690VAC0FKE90	250A	690VAC	4200	28500	40
	109M3667	KSM0-315A/690VAC0FKE90	315A	690VAC	7000	46500	50
	109M3668	KSM0-350A/690VAC0FKE90	350A	690VAC	10000	68500	55
	109M3669	KSM0-400A/690VAC0FKE90	400A	690VAC	15000	105000	60
	109M3670	KSM0-450A/690VAC0FKE90	450A	690VAC	21000	140000	65
	109M3671	KSM0-500A/690VAC0FKE90	500A	690VAC	27000	180000	70
	109M3672	KSM0-550A/690VAC0FKE90	550A	690VAC	34000	230000	75
109M3673	KSM0-630A/690VAC0FKE90	630A	690VAC	48500	325000	80	
1	109M4658	KSM1-200A/690VAC1FKE90	200A	690VAC	1650	11500	45
	109M4659	KSM1-250A/690VAC1FKE90	250A	690VAC	3100	21000	55
	109M4660	KSM1-315A/690VAC1FKE90	315A	690VAC	6200	42000	58
	109M4661	KSM1-350A/690VAC1FKE90	350A	690VAC	8500	59000	60
	109M4662	KSM1-400A/690VAC1FKE90	400A	690VAC	13500	91500	65
	109M4663	KSM1-450A/690VAC1FKE90	450A	690VAC	17000	120000	70
	109M4664	KSM1-500A/690VAC1FKE90	500A	690VAC	25000	170000	72
	109M4665	KSM1-550A/690VAC1FKE90	550A	690VAC	34000	230000	75
	109M4666	KSM1-630A/690VAC1FKE90	630A	690VAC	52000	350000	80
	109M4667	KSM1-700A/690VAC1FKE90	700A	690VAC	69500	465000	85
	109M4668	KSM1-800A/690VAC1FKE90	800A	690VAC	105000	725000	95
109M4669	KSM1-900A/600VAC1FKE90	900A	600VAC	155000	*850000	100	
2	109M5658	KSM2-400A/690VAC2FKE90	400A	690VAC	11000	74000	65
	109M5659	KSM2-450A/690VAC2FKE90	450A	690VAC	15500	105000	70
	109M5660	KSM2-500A/690VAC2FKE90	500A	690VAC	21500	145000	75
	109M5661	KSM2-550A/690VAC2FKE90	550A	690VAC	28000	190000	80
	109M5662	KSM2-630A/690VAC2FKE90	630A	690VAC	41000	275000	90
	109M5663	KSM2-700A/690VAC2FKE90	700A	690VAC	60500	405000	95
	109M5664	KSM2-800A/690VAC2FKE90	800A	690VAC	86000	575000	105

Main Characteristics 主要技术参数 电压Voltage:550VAC~700VAC 电流: from 40A to 2000A类别: aR

Size 瓷管 代号	Catalog Numbers 订货号	Designation Type型号规格	Electrical Characteristics 电气特性				
		-FKE/90 Without Indicator 中部微动指示	Ampere 电流(A)	Voltage 电压(V)	Pre-arcing 弧前 $I^2t(A^2s)$	Total 熔断 I^2t @660V (A ² s)	Power 功耗 $P_n(W)$
2	109M5665	KSM2-900A/690VAC2FKE90	900A	690VAC	125000	840000	110
	109M5666	KSM2-1000A/690VAC2FKE90	1000A	690VAC	180000	1250000	115
	109M5667	KSM2-1100A/600VAC2FKE90	1100A	600VAC	245000	1600000	120
	109M5668	KSM2-1250A/600VAC2FKE90	1250A	600VAC	365000	2400000	130
3	109M6658	KSM3-500A/690VAC3FKE90	500A	690VAC	14000	95000	95
	109M6659	KSM3-550A/690VAC3FKE90	550A	690VAC	19500	135000	100
	109M6660	KSM3-630A/690VAC3FKE90	630A	690VAC	31000	210000	105
	109M6661	KSM3-700A/690VAC3FKE90	700A	690VAC	44500	300000	110
	109M6662	KSM3-800A/690VAC3FKE90	800A	690VAC	69500	465000	115
	109M6663	KSM3-900A/690VAC3FKE90	900A	690VAC	100000	670000	120
	109M6664	KSM3-1000A/690VAC3FKE90	1000A	690VAC	140000	945000	125
	109M6665	KSM3-1100A/690VAC3FKE90	1100A	690VAC	190000	1300000	130
	109M6666	KSM3-1250A/690VAC3FKE90	1250A	690VAC	290000	1950000	140
	109M6667	KSM3-1400A/690VAC3FKE90	1400A	690VAC	370000	2450000	155
	109M6668	KSM3-1500A/690VAC3FKE90	1500A	690VAC	460000	3100000	160
	109M6669	KSM3-1600A/690VAC3FKE90	1600A	690VAC	580000	3900000	160
	109M6670	KSM3-1800A/600VAC3FKE90	1800A	600VAC	880000	5250000	165
	109M6671	KSM3-2000A/550VAC3FKE90	2000A	550VAC	1150000	6350000	175

Dimensions(mm)安装示意图:



Size	Type -FKE/90							
Size	A	B	C1	C2	D	E	G	L
0	50	20	85	72	10	43	58	110
1	50	25	104	78	14	51	66	136
2	50	25	105	78	14	60	75	136
3	51	39	106	77	16	75	91	136

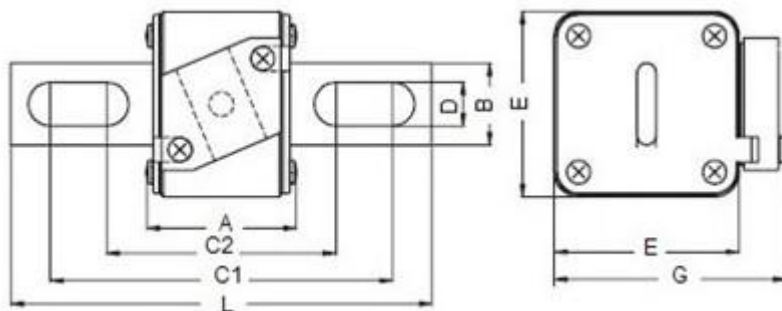
Main Characteristics 主要技术参数 电压Voltage:550VAC~700VAC 电流: from 40A to 2000A类别: aR

Size 瓷管代号	Catalog Numbers 订货号	Designation Type型号规格	Electrical Characteristics 电气特性				
		FKE/115 With Indicator无指示	Ampere 电流(A)	Voltage 电压(V)	Pre-arcing 弧前 I ² t(A ² s)	Total 熔断 I ² t @660V (A ² s)	Power 功耗 P _n (W)
0	109M3758	KSM0-40A/690VAC0FKE115	40A	690VAC	40	270	9
	109M3759	KSM0-50A/690VAC0FKE115	50A	690VAC	77	515	11
	109M3760	KSM0-63A/690VAC0FKE115	63A	600VAC	115	770	14
	109M3761	KSM0-80A/690VAC0FKE115	80A	600VAC	185	1250	18
	109M3762	KSM0-100A/690VAC0FKE115	100A	690VAC	360	2450	21
	109M3763	KSM0-125A/690VAC0FKE115	125A	690VAC	550	3700	26
	109M3764	KSM0-160A/690VAC0FKE115	160A	690VAC	1100	7500	30
	109M3765	KSM0-200A/690VAC0FKE115	200A	690VAC	2200	9500	35
	109M3766	KSM0-250A/690VAC0FKE115	250A	690VAC	4200	28500	40
	109M3767	KSM0-315A/690VAC0FKE115	315A	690VAC	7000	46500	50
	109M3768	KSM0-350A/690VAC0FKE115	350A	690VAC	10000	68500	55
	109M3769	KSM0-400A/690VAC0FKE115	400A	690VAC	15000	105000	60
	109M3770	KSM0-450A/690VAC0FKE115	450A	690VAC	21000	140000	65
	109M3771	KSM0-500A/690VAC0FKE115	500A	690VAC	27000	180000	70
	109M3772	KSM0-550A/690VAC0FKE115	550A	690VAC	34000	230000	75
109M3773	KSM0-630A/690VAC0FKE115	630A	690VAC	48500	325000	80	
1	109M4758	KSM1-200A/690VAC1FKE115	200A	690VAC	1650	11500	45
	109M4759	KSM1-250A/690VAC1FKE115	250A	690VAC	3100	21000	55
	109M4760	KSM1-315A/690VAC1FKE115	315A	600VAC	6200	42000	58
	109M4761	KSM1-350A/690VAC1FKE115	350A	600VAC	8500	59000	60
	109M4762	KSM1-400A/690VAC1FKE115	400A	690VAC	13500	91500	65
	109M4763	KSM1-450A/690VAC1FKE115	450A	690VAC	17000	120000	70
	109M4764	KSM1-500A/690VAC1FKE115	500A	690VAC	25000	170000	72
	109M4765	KSM1-550A/690VAC1FKE115	550A	690VAC	34000	230000	75
	109M4766	KSM1-630A/690VAC1FKE115	630A	690VAC	52000	350000	80
	109M4767	KSM1-700A/690VAC1FKE115	700A	690VAC	69500	465000	85
	109M4768	KSM1-800A/690VAC1FKE115	800A	690VAC	105000	725000	95
109M4769	KSM1-900A/600VAC1FKE115	900A	600VAC	155000	850000	100	
2	109M5758	KSM2-400A/690VAC2FKE115	400A	690VAC	11000	74000	65
	109M5759	KSM2-450A/690VAC2FKE115	450A	690VAC	15500	105000	70
	109M5760	KSM2-500A/690VAC2FKE115	500A	690VAC	21500	145000	75
	109M5761	KSM2-550A/690VAC2FKE115	550A	690VAC	28000	190000	80
	109M5762	KSM2-630A/690VAC2FKE115	630A	690VAC	41000	275000	90
	109M5763	KSM2-700A/690VAC2FKE115	700A	690VAC	60500	405000	95
	109M5764	KSM2-800A/690VAC2FKE115	800A	690VAC	86000	575000	105

Main Characteristics 主要技术参数 电压 Voltage: 550VAC~700VAC 电流: from 40A to 2000A 类别: aR

Size 瓷管 代号	Catalog Numbers 订货号	Designation Type 型号规格 -FU/115 With Indicator 中部指示	Electrical Characteristics 电气特性				
			Ampere 电流(A)	Voltage 电压(V)	Pre-arcing 弧前 I ² t(A ² s)	Total 熔断 I ² t @Un V (A ² s)	Power 功耗 P _n (W)
2	109M5765	KSM2-900A/690VAC2FKE115	900A	690VAC	125000	840000	110
	109M5766	KSM2-1000A/690VAC2FKE115	1000A	690VAC	180000	1250000	115
	109M5767	KSM2-1100A/600VAC2FKE115	1100A	690VAC	245000	1600000	120
	109M5768	KSM2-1250A/690VAC2FKE115	1250A	690VAC	365000	2400000	130
3	109M6758	KSM3-500A/690VAC3FKE115	500A	690VAC	14000	95000	95
	109M6759	KSM3-550A/690VAC3FKE115	550A	690VAC	19500	135000	100
	109M6760	KSM3-630A/690VAC3FKE115	630A	690VAC	31000	210000	105
	109M6761	KSM3-700A/690VAC3FKE115	700A	690VAC	44500	300000	110
	109M6762	KSM3-800A/690VAC3FKE115	800A	690VAC	69500	465000	115
	109M6763	KSM3-900A/690VAC3FKE115	900A	690VAC	100000	670000	120
	109M6764	KSM3-1000A/690VAC3FKE115	1000A	690VAC	140000	945000	125
	109M6765	KSM3-1100A/690VAC3FKE115	1100A	690VAC	190000	1300000	130
	109M6766	KSM3-1250A/690VAC3FKE115	1250A	690VAC	290000	1950000	140
	109M6767	KSM3-1400A/690VAC3FKE115	1400A	690VAC	370000	2450000	155
	109M6768	KSM3-1500A/690VAC3FKE115	1500A	690VAC	460000	3100000	160
	109M6769	KSM3-1600A/690VAC3FKE115	1600A	690VAC	580000	3900000	160
	109M6770	KSM3-1800A/600VAC3FKE115	1800A	600VAC	880000	5250000	165
	109M6771	KSM3-2000A/550VAC3FKE115	2000A	550VAC	1150000	6350000	175

Dimensions(mm) 安装示意图:



Size	A	B	C1	C2	D	E	G	L
0	50	20	123	110	10	43	58	148
1	50	25	126	100	14	51	66	157
2	50	25	125	99	14	60	75	159
3	51	39	125	97	16	75	91	155

DIN 43 620 Full Range (gR)全范围保护 电压等级:690V~700VAC 电流范围: from 10A to 800A

Size 瓷管 代号	Catalog Numbers 订货号	Designation Type型号规格 Type T indicator For Micro顶部视觉指示	Electrical Characteristics 电气特性				
			Ampere 电流(A)	Voltage 电压(V)	Pre-arcing 弧前 I ² t (A ² s)	Total 熔断 I ² t @ 690V(A ² s)	Power 功 耗 P _n (W)
000	109M1558	KH000-10A/690VAC DIN000 gR100KA	10A	690VAC	3.8	30	4.5
	109M1559	KH000-16A/690VAC DIN000 gR100KA	16A	690VAC	8.2	60	5.6
	109M1560	KH000-20A/690VAC DIN000 gR100KA	20A	690VAC	12	80	7.0
	109M1561	KH000-25A/690VACDIN000 gR100KA	25A	690VAC	20	150	9.0
	109M1562	KH000-32A/690VACDIN000 gR100KA	32A	690VAC	39	270	10
	109M1563	KH000-40A/690VACDIN000 gR100KA	40A	690VAC	70	460	12
	109M1564	KH000-50A/690VACDIN000 gR100KA	50A	690VAC	105	730	14
	109M1565	KH000-63A/690VACDIN000 gR100KA	63A	690VAC	210	1500	16
	109M1566	KH000-80A/690VACDIN000 gR100KA	80A	690VAC	465	2900	18
	109M1567	KH000-100A/690VACDIN000 gR100KA	100A	690VAC	970	6000	20
	109M1568	KH000-125A/690VAC DIN000 gR100KA	125A	690VAC	1900	11800	21
00	109M2691	KH00-10A/690VAC DIN00 gR100KA	10A	690VAC	3.8	20	3.5
	109M2692	KH00-16A/690VAC DIN00 gR100KA	16A	690VAC	7.2	38	5.5
	109M2693	KH00-20A/690VAC DIN00 gR100KA	20A	690VAC	13	70	6
	109M2694	KH00-25A/690VAC DIN00 gR100KA	25A	690VAC	24	125	8
	109M2695	KH00-32A/690VAC DIN00 gR100KA	32A	690VAC	53	275	9
	109M2696	KH00-40A/690VAC DIN00 gR100KA	40A	690VAC	95	490	10
	109M2697	KH00-50A/690VAC DIN00 gR100KA	50A	690VAC	185	1000	11
	109M2698	KH00-63A/690VAC DIN00 gR100KA	63A	690VAC	345	1800	14
	109M2699	KH00-80A/690VAC DIN00 gR100KA	80A	690VAC	695	3600	16
	109M2700	KH00-100A/690VAC DIN00 gR100KA	100A	690VAC	1250	6650	19
	109M2701	KH00-125A/690VAC DIN00 gR100KA	125A	690VAC	2300	12000	23
	109M2702	KH00-160A 690VAC DIN00 gR100KA	160A	690VAC	4350	22500	29
0	109M4030	KH0-16A/690VAC DIN0 gR100KA	16A	690VAC	10	140	6.1
	109M4031	KH0-20A/690VAC DIN0 gR100KA	20A	690VAC	17	185	7.2
	109M4032	KH0-25A/690VAC DIN0 gR100KA	25A	690VAC	20	305	8.6
	109M4033	KH0-32A/690VAC DIN0 gR100KA A	32A	690VAC	67	460	10
	109M4034	KH0-35A/690VAC DIN0 gR100KA	35A	690VAC	82	650	11
	109M4035	KH0-40A/690VAC DIN0 gR100KA	40A	690VAC	90	800	12
	109M4036	KH0-50A/690VAC DIN0 gR100KA	50A	690VAC	190	1400	15
	109M4037	KH0-63A/690VAC DIN0 gR100KA	63A	690VAC	330	2600	18
	109M4038	KH0-80A/690VAC DIN0 gR100KA	80A	690VAC	510	4200	21
	109M4039	KH0-100A/690VAC DIN0 gR100KA	100A	690VAC	920	7600	25
	109M4040	KH0-125A/690VAC DIN0 gR100KA	125A	690VAC	1660	12300	30
	109M4041	KH0-160A/690VAC DIN0 gR100KA	160A	690VAC	2800	19500	36

Full range protection fuses providing both overload and short-circuit protection 全范围快速保护, 主要用于过载保护、短路保护

DIN 43 620 Full Range (gR)全范围保护 电压等级:690V~700VAC 电流范围: from 10A to 800A

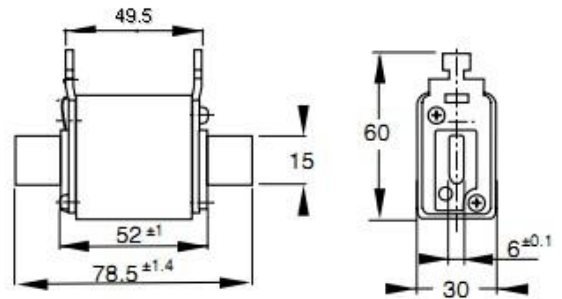
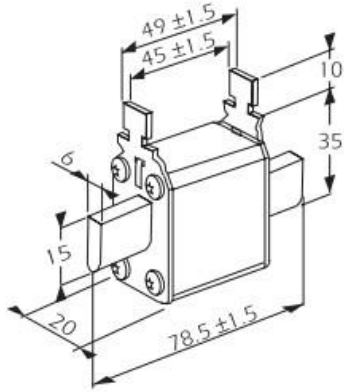
Size 瓷管 代号	Catalog Numbers 订货号	Designation Type型号规格	Electrical Characteristics 电气特性				
		Type UF 顶部视觉指示	Ampere 电流(A)	Voltage 电压(V)	Pre-arcing 弧前 I ² t (A ² s)	Total 熔断 I ² t @ 690V(kA ² s)	Power 功 耗 P _n (W)
1	109M4176	KH1-50A/690VAC DIN1 gR100KA	50A	690VAC	135	705	12
	109M4177	KH1-63A/690VAC DIN1 gR100KA	63A	690VAC	245	1300	15
	109M4178	KH1-80A/690VAC DIN1 gR100KA	80A	690VAC	500	2600	17
	109M4179	KH1-100A/690VAC DIN1 gR100KA	100A	690VAC	950	4850	20
	109M4180	KH1-125A/690VAC DIN1 gR100KA	125A	690VAC	1850	9500	23
	109M4181	KH1-160A/690VAC DIN1 gR100KA	160A	690VAC	3450	18000	28
	109M4182	KH1-200A/690VAC DIN1 gR100KA	200A	690VAC	6750	34500	31
	109M4183	KH1-250A/690VAC DIN1 gR100KA	250A	690VAC	13500	70500	35
	109M4184	KH1-315A/690VAC DIN1 gR100KA	315A	690VAC	26000	135000	41
	109M4185	KH1-350A/690VAC DIN1 gR100KA	350A	690VAC	34000	175000	45
109M4186	KH1-400A/690VAC DIN1 gR100KA	400A	690VAC	48500	250000	48	
2	109M5881	KH2-200A/690VAC DIN2 gR100KA	200A	690VAC	5650	29000	33
	109M5882	KH2-250A/690VAC DIN2 gR100KA	250A	690VAC	10000	52500	40
	109M5883	KH2-315A/690VAC DIN2 gR100KA	315A	690VAC	19500	105000	46
	109M5884	KH2-350A/690VAC DIN2 gR100KA	350A	690VAC	26000	135000	50
	109M5885	KH2-400A/690VAC DIN2 gR100KA	400A	690VAC	39500	205000	53
	109M5886	KH2-450A/690VAC DIN2 gR100KA	450A	690VAC	55500	290000	59
	109M5887	KH2-500A/690VAC DIN2 gR100KA	500A	690VAC	73000	375000	66
	109M5888	KH2-550A/690VAC DIN2 gR100KA	550A	690VAC	100000	515000	70
	109M5889	KH2-630A/690VAC DIN2 gR100KA	630A	690VAC	150000	770000	79
3	109M6080	KH3-350A/690VAC DIN3 gR100KA	350A	690VAC	23000	120000	55
	109M6081	KH3-400A/690VAC DIN3 gR100KA	400A	690VAC	34000	175000	59
	109M6082	KH3-450A/690VAC DIN3 gR100KA	450A	690VAC	48500	250000	62
	109M6083	KH3-500A/690VAC DIN3 gR100KA	500A	690VAC	64000	330000	67
	109M6084	KH3-550A/690VAC DIN3 gR100KA	550A	690VAC	84500	435000	70
	109M6085	KH3-630A/690VAC DIN3 gR100KA	630A	690VAC	125000	645000	85
	109M6086	KH3-700A/690VAC DIN3 gR100KA	700A	690VAC	160000	840000	93
	109M6087	KH3-800A/690VAC DIN3 gR100KA	800A	690VAC	245000	1300000	99

Specifications产品描述: Description: Square body DIN 43 620 blade style high speed fuses. Full range protection fuses providing both overload and short-circuit protection全范围快速保护, 主要用于过载保护、短路保护。



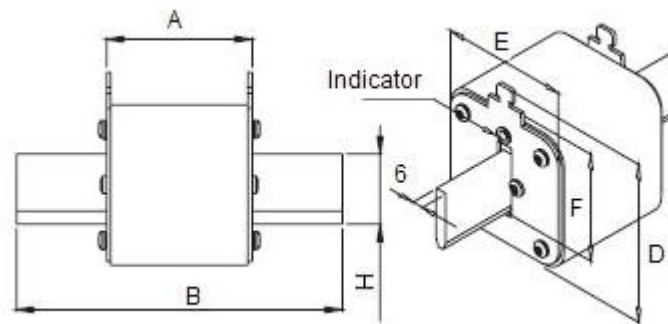
DIN 43 620 Full Range (gR)全范围保护 电压等级:690V~700VAC 电流范围: from 10A to 800A

Dimensions(mm)安装示意图:



00 尺寸 Dimensions(mm)安装示意图:

000 尺寸 Dimensions(mm)安装示意图:



Type: DIN0、DIN1、DIN2、DIN3 尺寸示意图						
size	A	B	D	E	F	H
0	68	125	60	30	40	15
1	68	135	66	52	40	20
2	68	150	74	60	48	25
3	68	150	89	75	60	32



Main Characteristics 主要技术参数 电压Voltage: 1000VAC 电流: from 50A to 1400A 类别: aR

Size 瓷管 代号	Catalog Numbers 订货号	Designation Type 型号规格	Electrical Characteristics 电气特性				
		BKN/ 75 Type K Indicator for Micro 中部微动指示	Ampere 电流(A)	Voltage 电压(V)	Pre-arcing 弧 前 I ² t (A ² S)	Total 熔断 I ² t @ 1000V(A ² S)	Watts Loss 功(W)
0	109M3951	KSP0-50A/1000VAC0BKN75	50A	1000VAC	135	815	20
	109M3952	KSP0-63A/1000VAC0BKN75	63A	1000VAC	215	1300	25
	109M3953	KSP0-80A/1000VAC0BKN75	80A	1000VAC	460	2750	30
	109M3954	KSP0-100A/1000VAC0BKN75	100A	1000VAC	860	5100	35
	109M3955	KSP0-125A/1000VAC0BKN75	125A	1000VAC	1450	8600	40
	109M3956	KSP0-160A/1000VAC0BKN75	160A	1000VAC	2850	17500	45
	109M3957	KSP0-200A/1000VAC0BKN75	200A	1000VAC	4950	29500	48
	109M3958	KSP0-250A/1000VAC 0BKN75	250A	1000VAC	9550	57000	50
	109M3959	KSP0-315A/1000VAC0BKN75	315A	1000VAC	21500	130000	60
	109M3960	KSP0-350A/1000VAC0BKN75	350A	1000VAC	29000	175000	65
109M3961	KSP0-400A/1000VAC0BKN75	400A	1000VAC	42000	250000	70	
1	109M4951	KSP1-160A/1000VAC1BKN75	160A	1000VAC	2200	13500	40
	109M4952	KSP1-200A/1000VAC1BKN75	200A	1000VAC	4150	24500	45
	109M4953	KSP1-250A/1000VAC1BKN75	250A	1000VAC	7750	46000	52
	109M4954	KSP1-315A/1000VAC1BKN75	315A	1000VAC	16500	98500	60
	109M4955	KSP1-350A/1000VAC1BKN75	350A	1000VAC	21500	130000	65
	109M4956	KSP1-400A/1000VAC1BKN75	400A	1000VAC	31000	185000	70
	109M4957	KSP1-450A/1000VAC1BKN75	450A	1000VAC	44500	265000	80
	109M4958	KSP1-500A/1000VAC1BKN75	500A	1000VAC	63000	375000	85
	109M4959	KSP1-550A/1000VAC1BKN75	550A	1000VAC	84500	500000	90
	109M4960	KSP1-630A/1000VAC1BKN75	630A	1000VAC	125000	755000	98
2	109M5952	KSP2-250A/1000VAC2BKN75	250A	1000VAC	6750	40000	65
	109M5953	KSP2-315A/1000VAC2BKN75	315A	1000VAC	13500	81500	75
	109M5954	KSP2-350A/1000VAC2BKN75	350A	1000VAC	16500	99000	80
	109M5955	KSP2-400A/1000VAC2BKN75	400A	1000VAC	26000	155000	85
	109M5956	KSP2-450A/1000VAC2BKN75	450A	1000VAC	35500	210000	90
	109M5957	KSP2-500A/1000VAC2BKN75	500A	1000VAC	49500	295000	95
	109M5958	KSP2-550A/1000VAC2BKN75	550A	1000VAC	66000	390000	100
	109M5959	KSP2-630A/1000VAC2BKN75	630A	1000VAC	93500	555000	110
	109M5960	KSP2-700A/1000VAC2BKN75	700A	1000VAC	130000	770000	115
	109M5961	KSP2-800A/1000VAC2BKN75	800A	1000VAC	195000	1200000	125
3	109M8600	KSP3-315A/1000VAC3BKN75	315A	1000VAC	9200	54500	90
	109M8601	KSP3-350A/1000VAC3BKN75	350A	1000VAC	13000	77500	95
	109M8602	KSP3-400A/1000VAC3BKN75	400A	1000VAC	19000	115000	105
	109M8603	KSP3-450A/1000VAC3BKN75	450A	1000VAC	27000	160000	107
	109M8604	KSP3-500A/1000VAC3BKN75	500A	1000VAC	37500	225000	110

Main Characteristics 主要技术参数 电压Voltage: 1000VAC 电流: from 50A to 1400A 类别: aR

Size 瓷管 代号	Catalog Numbers 订货号	Designation Type 型号规格	Electrical Characteristics 电气特性				
		BKN/ 75 Type K Indicator BKN/ 90 Type K Indicator	Ampere 电流(A)	Voltage 电压(V)	Pre-arcing 弧 前 I ² t (A ² S)	Total 熔断 I ² t @ 1000V(A ² S)	Watts Loss 功(W)
3	109M8605	KSP3-550A/1000VAC3BKN75	550A	1000VAC	52000	310000	115
	109M8606	KSP3-630A/1000VAC3BKN75	630A	1000VAC	82500	490000	120
	109M8607	KSP3-700A/1000VAC3BKN75	700A	1000VAC	115000	700000	125
	109M8608	KSP3-800A/1000VAC3BKN75	800A	1000VAC	170000	1050000	135
	109M8609	KSP3-900A/1000VAC3BKN75	900A	1000VAC	250000	1500000	145
	109M8610	KSP3-1000A/1000VAC3BKN75	1000A	1000VAC	340000	2050000	150
	109M8611	KSP3-1100A/1000VAC3BKN75	1100A	1000VAC	460000	2750000	155
	109M8612	KSP3-1250A/1000VAC3BKN90	1250A	1000VAC	575000	3400000	175
	109M8613	KSP3-1400A/1000VAC3BKN90	1400A	1000VAC	795000	4200000	185

Provide state of the art protection for high power semiconductors such as diodes, thyristors, GTO, IGCT and IGBT. 为二极管, 晶闸管, GTO, IGCT 和 IGBT 等大功率半导体提供最先进的保护。

They have pure silver fuse elements embedded in solidified sand which provides optimized I²t and high interrupting rating. All contact surfaces are plated and all hardware nonmagnetic. 99.99%纯银熔体, 高强度石英砂、低 I²t、接触表面均镀有电镀, 所有硬件均为非磁性材料。

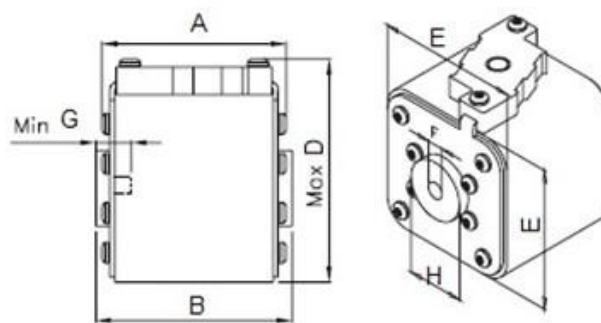
All fuses are standard with a low voltage blown fuse indicator. This indicator can operate a micro-switch which is easily mounted directly onto the fuse in service. 熔断器均采用低压熔断器指示器。指示器可以操作微型开关, 直接安装在熔断器上。

APPLICATIONS 应用: Protection of large rectifiers, inverters, static transfer switch, AC & DC drives and UPS systems. 保护大型整流器, 逆变器, 静电转移开关, 交流和直流驱动器和 UPS 系统。

IEC 269-4 compliance for fuses for worldwide semiconductor applications 执行 IEC269.4 半导体保护熔断器标准。

Cooling method 熔断器冷却方式: Natural cooling 自然冷却、Forced air cooling 强迫风冷(风速 6m/s)。

Dimensions(mm) 安装示意图:



Catalog Numbers 订货代码	A	B	D	E	F	G	H
0BKN/75	73	75	58	43	M8	8	Φ17
1BKN/75	73	75	66	51	M8	8	Φ20
2BKN/75	73	75	75	60	M10	10	Φ25
3BKN/75	73	75	90	75	M12	10	Φ30
3BKN/90	73	90	90	75	M12	10	Φ30

Main Characteristics 主要技术参数 电压Voltage: 1000VAC 电流: from 1500A to 3000A 类别: aR

Size 瓷管 代号	Catalog Numbers 订货号	Designation Type 型号规格 BKN/ 95Type K Indicator for Micro 中部微动指示	Electrical Characteristics 电气特性				
			Ampere 电流(A)	Voltage 电压(V)	Pre-arcing 弧前 I^2t (A ² S)	Total 熔断 I^2t @ 1000V(A ² S)	Watts Loss 功(W)
5	109M7636	KSP54-1500A/1000VAC54BKN95	1500A	1000VAC	600000	3600000	250
	109M7639	KSP54-1700A/1000VAC54BKN95	1700A	1000VAC	850000	5000000	260
	109M7661	KSP54-1800A/1000VAC54BKN95	1800A	1000VAC	1000000	5950000	265
	109M7963	KSP54-2000A/1000VAC54BKN95	2000A	1000VAC	1450000	8600000	270
	109M7090	KSP54-2200A/1000VAC54BKN95	2200A	1000VAC	2000000	12000000	280
	109M7640	KSP54-2500A/1000VAC54BKN95	2500A	1000VAC	3000000	18000000	295
	109M7658	KSP54-2700A/1000VAC54BKN95	2700A	1000VAC	3700000	22000000	310
	109M7962	KSP54-3000A/1000VAC54BKN95	3000A	1000VAC	4700000	28000000	380

Provide state of the art protection for high power semiconductors such as diodes, thyristors, GTO, IGCT' and IGBT.

为二极管, 晶闸管, GTO, IGCT 和 IGBT 等大功率半导体提供最先进的保护。

They have pure silver fuse elements embedded in solidified sand which provides optimized I^2t and high interrupting rating. All contact surfaces are plated and all hardware nonmagnetic.

99.99%纯银熔体, 高强度石英砂、低 I^2t 、接触表面均镀有电镀, 所有硬件均为非磁性材料。

All fuses are standard with a low voltage blown fuse indicator. This indicator can operate a micro-switch which is easily mounted directly onto the fuse in service. 熔断器均采用低压熔断器指示器。指示器可以操作微型开关, 直接安装在熔断器上。

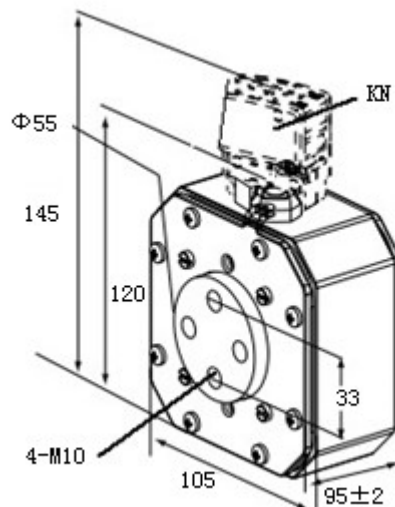
APPLICATIONS 应用: Protection of large rectifiers, inverters, static transfer switch, AC & DC drives and UPS systems.

保护大型整流器, 逆变器, 静电转移开关, 交流和直流驱动器 and UPS 系统。

IEC 269-4 compliance for fuses for worldwide semiconductor applications 执行 IEC269.4 半导体保护熔断器标准。

Cooling method 熔断器冷却方式: Natural cooling 自然冷却、Forced air cooling 强迫风冷(风速 6m/s). Single Water Cooling 单面水冷、Double Water Cooling 双面水冷。

Dimensions(mm) 安装示意图:



Main Characteristics 主要技术参数 电压Voltage: 1000VAC 电流: from 1000A to 3000A 类别: aR

Size 瓷管 代号	Catalog Numbers 订货号	Designation Type 型号规格 SBKN/ 90Type K Indicator for Micro 中部微动指示	Electrical Characteristics 电气特性				
			Ampere 电流(A)	Voltage 电压(V)	Pre-arcing 弧前 I^2t (A ² S)	Total 熔断 I^2t @ 1000V(A ² S)	Watts Loss 功(W)
5	109M7030	KSP54S-1000A/1000VAC54SBKN90	1000A	1000VAC	180000	1100000	195
	109M7031	KSP54S-1100A/1000VAC54SBKN90	1100A	1000VAC	250000	1500000	200
	109M7548	KSP54S-1500A/1000VAC54SBKN90	1500A	1000VAC	600000	3600000	250
	109M7034	KSP54S-1700A/1000VAC54SBKN90	1700A	1000VAC	850000	5000000	260
	109M7053	KSP54S-1800A/1000VAC54SBKN90	1800A	1000VAC	1000000	5950000	265
	109M7544	KSP54S-2000A/1000VAC54SBKN90	2000A	1000VAC	1450000	8600000	270
	109M7035	KSP54S-2200A/1000VAC54SBKN90	2200A	1000VAC	2000000	12000000	280
	109M7036	KSP54S-2500A/1000VAC54SBKN90	2500A	1000VAC	3000000	18000000	295
	109M7037	KSP54S-2700A/1000VAC54SBKN90	2700A	1000VAC	3700000	22000000	310
	109M7156	KSP54S-3000A/1000VAC54SBKN90	3000A	1000VAC	4700000	28000000	380

Provide state of the art protection for high power semiconductors such as diodes, thyristors, GTO, IGCT' and IGBT.

为二极管, 晶闸管, GTO, IGCT 和 IGBT 等大功率半导体提供最先进的保护。

They have pure silver fuse elements embedded in solidified sand which provides optimized I^2t and high interrupting rating. All contact surfaces are plated and all hardware nonmagnetic.

99.99%纯银熔体, 高强度石英砂、低 I^2t 、接触表面均镀有电镀, 所有硬件均为非磁性材料。

All fuses are standard with a low voltage blown fuse indicator. This indicator can operate a micro-switch which is easily mounted directly onto the fuse in service. 熔断器均采用低压熔断器指示器。指示器可以操作微型开关, 直接安装在熔断器上。

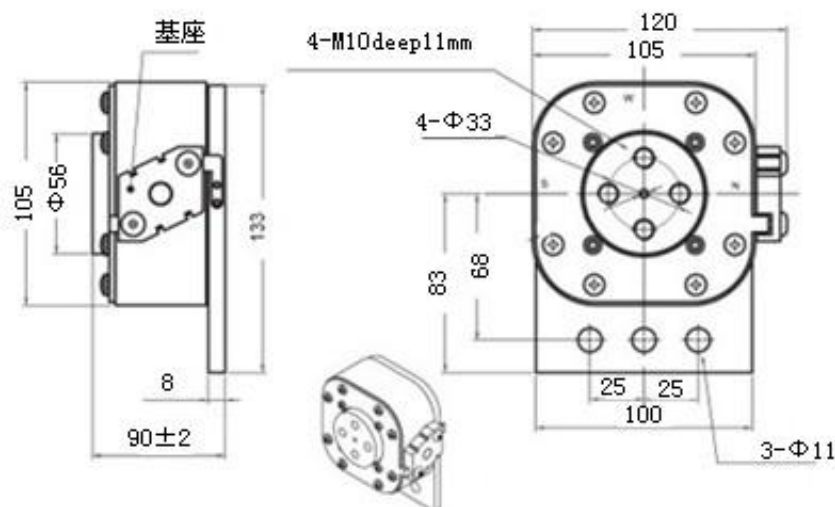
APPLICATIONS 应用: Protection of large rectifiers, inverters, static transfer switch, AC & DC drives and UPS systems.

保护大型整流器, 逆变器, 静电转移开关, 交流和直流驱动器 and UPS 系统。

IEC 269-4 compliance for fuses for worldwide semiconductor applications 执行 IEC269.4 半导体保护熔断器标准。

Cooling method 熔断器冷却方式: Natural cooling 自然冷却、Forced air cooling 强迫风冷(风速 6m/s). Single Water Cooling 单面水冷、Double Water Cooling 双面水冷。

Dimensions(mm) 安装示意图:



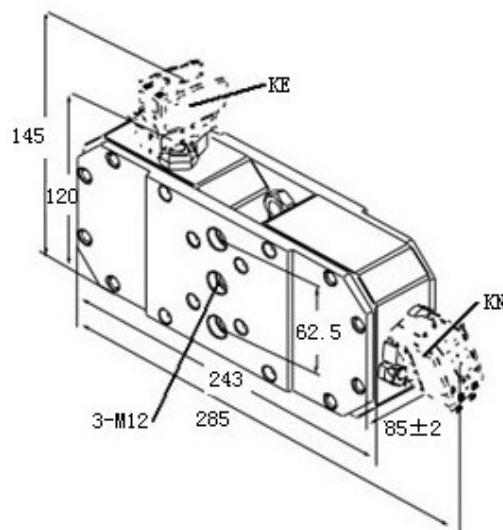
Main Characteristics 主要技术参数 电压Voltage: 1000VAC 电流: from 2000A to 5000A 类别: aR

序号	Catalog Number 订货号	Designation Type 型号规格 BK_/85 Type K Indicator 中部微动指示	Electrical Characteristics 电气特性				
			Ampere 电流(A)	Voltage 电压(V)	Pre-arcing 弧前 $I^2t(A^2S)$	Total 熔断 I^2t @1000V(A ² S)	Watts Loss 功(W)
25	109M7608	KSH25-2000A/1000VAC25BKE85	2000A	1000VAC	885000	5700000	345
	109M7680	KSH25-3000A/1000VAC25BKE85	3000A	1000VAC	290000	19000000	430
	109M7567	KSH25-3200A/1000VAC25BKE85	3200A	1000VAC	3300000	2000000	440
	109M7568	KSH25-3500A/1000VAC25BKE85	3500A	1000VAC	4500000	27000000	450
	109M7569	KSH25-4000A/1000VAC25BKE85	4000A	1000VAC	6800000	40000000	475
	109M7498	KSH25-4200A/1000VAC25BKE85	4200A	1000VAC	8000000	47500000	485
	109M7488	KSH25-4500A/1000VAC25BKE85	4500A	1000VAC	10000000	59000000	495
	109M7622	KSH25-5000A/1000VAC25BKE85	5000A	1000VAC	14000000	82500000	540
25	109M7708	KSH25-2000A/1000VAC25BKN85	2000A	1000VAC	885000	5700000	345
	109M7780	KSH25-3000A/1000VAC25BKN85	3000A	1000VAC	290000	19000000	430
	109M7767	KSH25-3200A/1000VAC25BKN85	3200A	1000VAC	3300000	2000000	440
	109M7768	KSH25-3500A/1000VAC25BKN85	3500A	1000VAC	4500000	27000000	450
	109M7769	KSH25-4000A/1000VAC25BKN85	4000A	1000VAC	6800000	40000000	475
	109M7798	KSH25-4200A/1000VAC25BKN85	4200A	1000VAC	8000000	47500000	485
	109M7788	KSH25-4500A/1000VAC25BKN85	4500A	1000VAC	10000000	59000000	495
	109M7722	KSH25-5000A/1000VAC25BKN85	5000A	1000VAC	14000000	82500000	540

Cooling method 熔断器冷却方式: Natural cooling 自然冷却、Forced air cooling 强迫风冷(风速 6m/s)、Single Water Cooling 单面水冷、Double Water Cooling 双面水冷。

All fuses are standard with a low voltage blown fuse indicator. This indicator can operate a micro-switch which is easily mounted directly onto the fuse in service. 熔断器均采用低压熔断器指示器。指示器可以操作微型开关，直接安装在熔断器上。指示器有 KN 和 KE 两种位置，任选一种。

Dimensions(mm) 安装示意图:



Main Characteristics 主要技术参数 电压Voltage: 1000VAC 电流: from 20A to 315A 类别: aR

Size 瓷管 代号	Catalog Numbers 订货号	Designation type 型号规格	Electrical Characteristics 电气特性				
		00/80/TN Indicator 顶部微动指示	Ampere 电流(A)	Voltage 电压(V)	Pre-arcing 弧前 I ² t (A ² s)	Total 熔断 I ² t @ 1000V (A ² s)	Power 功 P _n (W)
00	109M4822	KSZ00-20A/1000VAC00TN/80	20A	1000VAC	20	140	5
	109M4823	KSZ00-25A/1000VAC00TN/80	25A	1000VAC	30	210	7
	109M4824	KSZ00-32A/1000VAC00TN/80	32A	1000VAC	55	390	9
	109M4825	KSZ00-35A/1000VAC00TN/80	35A	1000VAC	69	500	10
	109M4826	KSZ00-40A/1000VAC00TN/80	40A	1000VAC	100	690	11
	109M4827	KSZ00-50A/1000VAC00TN/80	50A	1000VAC	170	1200	13
	109M4828	KSZ00-63A/1000VAC00TN/80	63A	1000VAC	280	2000	18
	109M4829	KSZ00-80A/1000VAC00TN/80	80A	1000VAC	500	3500	22
	109M4830	KSZ00-100A/1000VAC00TN/80	100A	1000VAC	950	6850	25
	109M4831	KSZ00-125A/1000VAC00TN/80	125A	1000VAC	1500	11500	33
	109M4832	KSZ00-160A/1000VAC00TN/80	160A	1000VAC	3000	22000	37
	109M4833	KSZ00-200A/1000VAC00TN/80	200A	1000VAC	5600	40500	40
	109M4834	KSZ00-250A/1000VAC00TN/80	250A	1000VAC	10000	74000	48
	109M4835	KSZ00-315A/1000VAC00TN/80	315A	900VAC	18000	115000	58

They have pure silver fuse elements embedded in solidified sand which provides optimized I²t and high interrupting rating. All contact surfaces are plated and all hardware nonmagnetic. 99.99%纯银熔体，高强度石英砂、低 I²t、接触表面均镀有电镀，所有硬件均为非磁性材料。

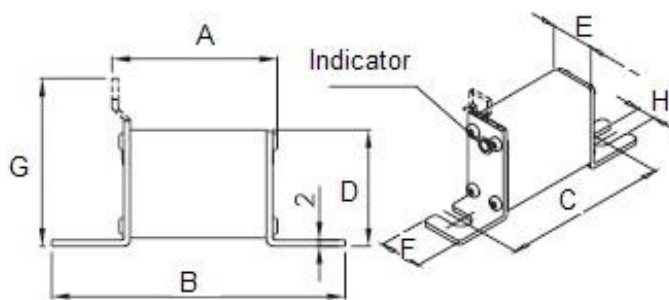
All fuses are standard with a low voltage blown fuse indicator. This indicator can operate a micro-switch which is easily mounted directly onto the fuse in service. 熔断器均采用低压熔断器指示器。指示器可以操作微型开关，直接安装在熔断器上。

APPLICATIONS 应用: Protection of large rectifiers, inverters, static transfer switch, AC & DC drives and UPS systems.

保护大型整流器，逆变器，静电转移开关，交流和直流驱动器及 UPS 系统。

Cooling method 熔断器冷却方式: Natural cooling 自然冷却、Forced air cooling 强迫风冷(风速 6m/s)。

Dimensions(mm)安装示意图:



Type 00/80 Dimensions(mm)								
size	A	B	C	D	E	F	G	H
00TN/80	54	98	78	51	30	28	-	10

Main Characteristics 主要技术参数 电压Voltage: 1000VAC 电流: from 20A to 225A 类别: aR

Size 瓷管	Catalog Numbers 订货号	Designation type 型号规格	Electrical Characteristics 电气特性				
			Ampere 电流(A)	Voltage 电压(V)	Pre-arcing 弧前 I ² t(A ² s)	Total 熔断 I ² t @UnA ² s)	Power 功耗 P _n (W)
00	109M2673	KH00-20A/1000VACDIN00	20A	1000VAC	15	110	8.5
	109M2674	KH00-25A/1000VACDIN00	25A	1000VAC	28.5	210	9.5
	109M2675	KH00-32A/1000VACDIN00	32A	1000VAC	53	390	11
	109M2676	KH00-35A/1000VACDIN00	35A	1000VAC	69	500	12
	109M2677	KH00-40A/1000VACDIN00	40A	1000VAC	105	760	13
	109M2678	KH00-50A/1000VACDIN00	50A	1000VAC	215	1550	14
	109M2679	KH00-63A/1000VACDIN00	63A	1000VAC	380	2750	16
	109M2680	KH00-80A/1000VACDIN00	80A	1000VAC	815	5900	18
	109M2681	KH00-100A/1000VACDIN00	100A	1000VAC	1550	11500	21
	109M2682	KH00-125A/1000VACDIN00	125A	1000VAC	3000	22000	23
	109M2683	KH00-160A/1000VACDIN00	160A	1000VAC	6250	45000	26
	109M2684	KH00-200A/900VACDIN00	200A	900VAC	12000	86500	31
	109M2685	KH00-225A/900VACDIN00	225A	900VAC	18000	115000	33

Provide state of the art protection for high power semiconductors such as diodes, thyristors, GTO, IGCT' and IGBT.

为二极管, 晶闸管, GTO, IGCT 和 IGBT 等大功率半导体提供最先进的保护。

They have pure silver fuse elements embedded in solidified sand which provides optimized I²t and high interrupting rating. All contact surfaces are plated and all hardware nonmagnetic.

99.99%纯银熔体, 高强度石英砂、低 I²t、接触表面均镀有电镀, 所有硬件均为非磁性材料。

All fuses are standard with a low voltage blown fuse indicator. This indicator can operate a micro-switch which is easily mounted directly onto the fuse in service. 熔断器均采用低压熔断器指示器。指示器可以操作微型开关, 直接安装在熔断器上。

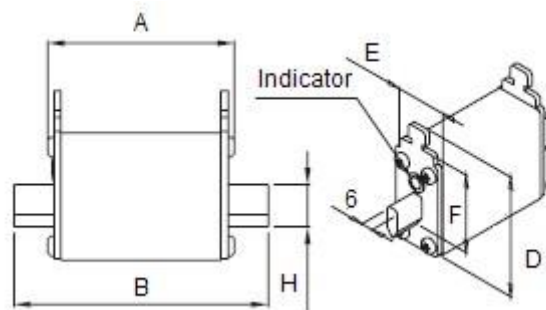
APPLICATIONS 应用: Protection of large rectifiers, inverters, static transfer switch, AC & DC drives and UPS systems.

保护大型整流器, 逆变器, 静电转移开关, 交流和直流驱动器 和 UPS 系统。

IEC 269-4 compliance for fuses for worldwide semiconductor applications 执行 IEC269.4 半导体保护熔断器标准。

Cooling method 熔断器冷却方式: Natural cooling 自然冷却、Forced air cooling 强迫风冷(风速 6m/s).

Dimensions(mm)安装示意图:



size	A	B	D	E	F	G	H
DIN00	49	78.5	60	30	35	6	15

Main Characteristics 主要技术参数 电压Voltage: 1000VAC 电流: from 50A to 1400A 类别: aR

Size 瓷管 代号	Catalog Numbers 订货号	Designation type 型号规格	Electrical Characteristics 电气特性				
		KN110/Type K Indication for Micro 中部微动指示	Ampere 电流(A)	Voltage 电压(V)	Pre-arcing 弧前 I ² t(A ² s)	Total 熔断 I ² t @Un(A ² s)	Power 功耗 P _n (W)
0	109M3965	KSZ0-50A/1000VAC0KN110	50A	1000VAC	135	815	20
	109M3966	KSZ0-63A/1000VAC0KN110	63A	1000VAC	215	1300	25
	109M3967	KSZ0-80A/1000VAC0KN110	80A	1000VAC	460	2750	30
	109M3968	KSZ0-100A/1000VAC0KN110	100A	1000VAC	860	5100	35
	109M3969	KSZ0-125A/1000VAC0KN110	125A	1000VAC	1450	8600	40
	109M3970	KSZ0-160A/1000VAC0KN110	160A	1000VAC	2850	17500	45
	109M3971	KSZ0-200A/1000VAC0KN110	200A	1000VAC	4950	29500	48
	109M3972	KSZ0-250A/1000VAC0KN110	250A	1000VAC	9550	57000	50
	109M3973	KSZ0-315A/1000VAC0KN110	315A	1000VAC	21500	130000	60
	109M3974	KSZ0-350A/1000VAC0KN110	350A	1000VAC	29000	175000	65
	109M3975	KSZ0-400A/1000VAC0KN110	400A	1000VAC	42000	250000	70
1	109M4965	KSZ1-160A/1000VAC1KN110	160A	1000VAC	2200	13500	40
	109M4966	KSZ1-200A/1000VAC1KN110	200A	1000VAC	4150	24500	45
	109M4967	KSZ1-250A/1000VAC1KN110	250A	1000VAC	7750	46000	52
	109M4968	KSZ1-315A/1000VAC1KN110	315A	1000VAC	16500	98500	60
	109M4969	KSZ1-350A/1000VAC1KN110	350A	1000VAC	21500	130000	65
	109M4970	KSZ1-400A/1000VAC1KN110	400A	1000VAC	31000	185000	70
	109M4971	KSZ1-450A/1000VAC1KN110	450A	1000VAC	44500	265000	80
	109M4972	KSZ1-500A/1000VAC1KN110	500A	1000VAC	63000	375000	85
	109M4973	KSZ1-550A/1000VAC1KN110	550A	1000VAC	84500	500000	90
	109M4974	KSZ1-630A/1000VAC1KN110	630A	1000VAC	125000	755000	98
2	109M5966	KSZ2-250A/1000VAC2KN110	250A	1000VAC	6750	40000	65
	109M5967	KSZ2-315A/1000VAC2KN110	315A	1000VAC	13500	81500	75
	109M5968	KSZ2-350A/1000VAC2KN110	350A	1000VAC	16500	99000	80
	109M5969	KSZ2-400A/1000VAC2KN110	400A	1000VAC	26000	155000	85
	109M5970	KSZ2-450A/1000VAC2KN110	450A	1000VAC	35500	210000	90
	109M5971	KSZ2-500A/1000VAC2KN110	500A	1000VAC	49500	295000	95
	109M5972	KSZ2-550A/1000VAC2KN110	550A	1000VAC	66000	390000	100
	109M5973	KSZ2-630A/1000VAC2KN110	630A	1000VAC	93500	555000	110
	109M5974	KSZ2-700A/1000VAC2KN110	700A	1000VAC	130000	770000	115
	109M5975	KSZ2-800A/1000VAC2KN110	800A	1000VAC	195000	1200000	125
3	109M8614	KSZ3-315A/1000VAC3KN110	315A	1000VAC	9200	54500	90
	109M8615	KSZ3-350A/1000VAC3KN110	350A	1000VAC	13000	77500	95
	109M8616	KSZ3-400A/1000VAC3KN110	400A	1000VAC	19000	115000	105
	109M8617	KSZ3-450A/1000VAC3KN110	450A	1000VAC	27000	160000	107

Main Characteristics 主要技术参数 电压 Voltage: 1000VAC 电流: from 50A to 1400A 类别: aR

Size 瓷管 代号	Catalog Numbers 订货号	Designation type 型号规格 KN110/Type K Indication for Micro 中部微动指示	Electrical Characteristics 电气特性				
			Ampere 电流(A)	Voltage 电压(V)	Pre-arcing 弧前 I ² t(A ² s)	Total 熔断 I ² t @Un(A ² s)	Power 功耗 P _n (W)
3	109M8618	KSZ3-500A/1000VAC3KN110	500A	1000VAC	37500	225000	110
	109M8619	KSZ3-550A/1000VAC3KN110	550A	1000VAC	52000	310000	115
	109M8620	KSZ3-630A/1000VAC3KN110	630A	1000VAC	82500	490000	120
	109M8621	KSZ3-700A/1000VAC3KN110	700A	1000VAC	115000	700000	125
	109M8622	KSZ3-800A/1000VAC3KN110	800A	1000VAC	170000	1050000	135
	109M8623	KSZ3-900A/1000VAC3KN110	900A	1000VAC	250000	1500000	145
	109M8624	KSZ3-1000A/1000VAC3KN110	1000A	1000VAC	340000	2050000	150
	109M8625	KSZ3-1100A/1000VAC3KN110	1100A	1000VAC	460000	2750000	155
	109M8626	KSZ3-1250A/1000VAC3KN110	1250A	1000VAC	575000	3400000	175
	109M8627	KSZ3-1400A/1000VAC3KN110	1400A	900VAC	795000	4200000	185

Provide state of the art protection for high power semiconductors such as diodes, thyristors, GTO, IGCT' and IGBT.

为二极管, 晶闸管, GTO, IGCT 和 IGBT 等大功率半导体提供最先进的保护。

They have pure silver fuse elements embedded in solidified sand which provides optimized I²t and high interrupting rating. All contact surfaces are plated and all hardware nonmagnetic.

99.99%纯银熔体, 高强度石英砂、低 I²t、接触表面均镀有电镀, 所有硬件均为非磁性材料。

All fuses are standard with a low voltage blown fuse indicator. This indicator can operate a micro-switch which is easily mounted directly onto the fuse in service. 熔断器均采用低压熔断器指示器。指示器可以操作微型开关, 直接安装在熔断器上。

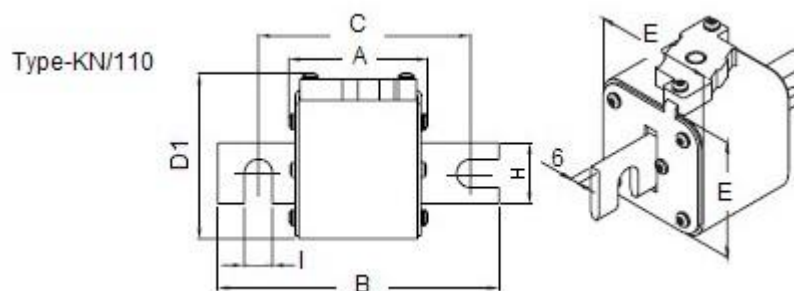
APPLICATIONS 应用: Protection of large rectifiers, inverters, static transfer switch, AC & DC drives and UPS systems.

保护大型整流器, 逆变器, 静电转移开关, 交流和直流驱动器和 UPS 系统。

IEC 269-4 compliance for fuses for worldwide semiconductor applications 执行 IEC269.4 半导体保护熔断器标准。

Cooling method 熔断器冷却方式: Natural cooling 自然冷却、Forced air cooling 强迫风冷(风速 6m/s).

Dimensions(mm)安装示意图:



size	A	B	C	D1	E	G	H	I
0KN/110	80	138	108±2	61	43	6	22	11
1KN/110	80	138	108±2	69	51	6	25	11
2KN/110	80	138	108±2	77	59	6	25	11
3KN/110	81	139	108±2	92	74	6	30	11

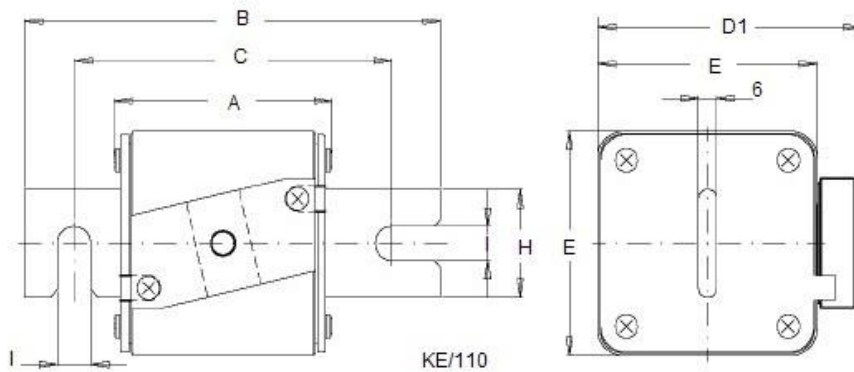
Main Characteristics 主要技术参数 电压Voltage: 1000VAC 电流: from 50A to 1400A 类别: aR

Size 瓷管 代号	Catalog Numbers 订货号	Designation type 型号规格	Electrical Characteristics 电气特性				
		KE110/Type Indicator for Micro 中部微动指示	Ampere 电流(A)	Voltage 电压(V)	Pre-arcing 弧前 $I^2t(A^2s)$	Total 熔断 I^2t @Un(A^2s)	Power 功耗 $P_n(W)$
0	109M3665	KSZ0-50A/1000VAC0KE110	50A	1000VAC	135	815	20
	109M3666	KSZ0-63A/1000VAC0KE110	63A	1000VAC	215	1300	25
	109M3667	KSZ0-80A/1000VAC0KE110	80A	1000VAC	460	2750	30
	109M3668	KSZ0-100A/1000VAC0KE110	100A	1000VAC	860	5100	35
	109M3669	KSZ0-125A/1000VAC0KE110	125A	1000VAC	1450	8600	40
	109M3670	KSZ0-160A/1000VAC0KE110	160A	1000VAC	2850	17500	45
	109M3671	KSZ0-200A/1000VAC0KE110	200A	1000VAC	4950	29500	48
	109M3672	KSZ0-250A/1000VAC0KE110	250A	1000VAC	9550	57000	50
	109M3673	KSZ0-315A/1000VAC0KE110	315A	1000VAC	21500	130000	60
	109M3674	KSZ0-350A/1000VAC0KE110	350A	1000VAC	29000	175000	65
109M3675	KSZ0-400A/1000VAC0KE110	400A	1000VAC	42000	250000	70	
1	109M4665	KSZ1-160A/1000VAC1KE110	160A	1000VAC	2200	13500	40
	109M4666	KSZ1-200A/1000VAC1KE110	200A	1000VAC	4150	24500	45
	109M4667	KSZ1-250A/1000VAC1KE110	250A	1000VAC	7750	46000	52
	109M4668	KSZ1-315A/1000VAC1KE110	315A	1000VAC	16500	98500	60
	109M4669	KSZ1-350A/1000VAC1KE110	350A	1000VAC	21500	130000	65
	109M4670	KSZ1-400A/1000VAC1KE110	400A	1000VAC	31000	185000	70
	109M4671	KSZ1-450A/1000VAC1KE110	450A	1000VAC	44500	265000	80
	109M4672	KSZ1-500A/1000VAC1KE110	500A	1000VAC	63000	375000	85
	109M4673	KSZ1-550A/1000VAC1KE110	550A	1000VAC	84500	500000	90
	109M4674	KSZ1-630A/1000VAC1KE110	630A	1000VAC	125000	755000	98
2	109M5666	KSZ2-250A/1000VAC2KE110	250A	1000VAC	6750	40000	65
	109M5667	KSZ2-315A/1000VAC2KE110	315A	1000VAC	13500	81500	75
	109M5668	KSZ2-350A/1000VAC2KE110	350A	1000VAC	16500	99000	80
	109M5669	KSZ2-400A/1000VAC2KE110	400A	1000VAC	26000	155000	85
	109M5670	KSZ2-450A/1000VAC2KE110	450A	1000VAC	35500	210000	90
	109M5671	KSZ2-500A/1000VAC2KE110	500A	1000VAC	49500	295000	95
	109M5672	KSZ2-550A/1000VAC2KE110	550A	1000VAC	66000	390000	100
	109M5673	KSZ2-630A/1000VAC2KE110	630A	1000VAC	93500	555000	110
	109M5674	KSZ2-700A/1000VAC2KE110	700A	1000VAC	130000	770000	115
	109M5675	KSZ2-800A/1000VAC2KE110	800A	1000VAC	195000	1200000	125
3	109M8914	KSZ3-315A/1000VAC3KE110	315A	1000VAC	9200	54500	90
	109M8915	KSZ3-350A/1000VAC3KE110	350A	1000VAC	13000	77500	95
	109M8916	KSZ3-400A/1000VAC3KE110	400A	1000VAC	19000	115000	105
	109M8917	KSZ3-450A/1000VAC3KE110	450A	1000VAC	27000	160000	107

Main Characteristics 主要技术参数 电压Voltage: 1000VAC 电流: from 50A to 1400A 类别: aR

Size 瓷管 代号	Catalog Numbers 订货号	Designation type 型号规格	Electrical Characteristics 电气特性				
		KE110/Type K Indicator for Micro 中部微动指示	Ampere 电流(A)	Voltage 电压(V)	Pre-arcing 弧前 I ² t(A ² s)	Total 熔断 I ² t @Un(A ² s)	Power 功耗 P _n (W)
3	109M8918	KSZ3-500A/1000VAC3KE110	500A	1000VAC	37500	225000	110
	109M8919	KSZ3-550A/1000VAC3KE110	550A	1000VAC	52000	310000	115
	109M8620	KSZ3-630A/1000VAC3KE110	630A	1000VAC	82500	490000	120
	109M8621	KSZ3-700A/1000VAC3KE110	700A	1000VAC	115000	700000	125
	109M8622	KSZ3-800A/1000VAC3KE110	800A	1000VAC	170000	1050000	135
	109M8623	KSZ3-900A/1000VAC3KE110	900A	1000VAC	250000	1500000	145
	109M8624	KSZ3-1000A/1000VAC3EN110	1000A	1000VAC	340000	2050000	150
	109M8625	KSZ3-1100A/1000VAC3KE110	1100A	1000VAC	460000	2750000	155
	109M8626	KSZ3-1250A/1000VAC3KE110	1250A	1000VAC	575000	3400000	175
	109M8627	KSZ3-1400A/1000VAC3KE110	1400A	900VAC	795000	4200000	185

Dimensions(mm) 安装示意图:



size	A	B	C	D1	E	G	H	I
0KE/110	80	138	108	61	43	6	22	11
1KE/110	80	138	108	69	51	6	25	11
2KE/110	80	138	108	77	59	6	25	11
3KE/110	81	139	108	92	74	6	30	11



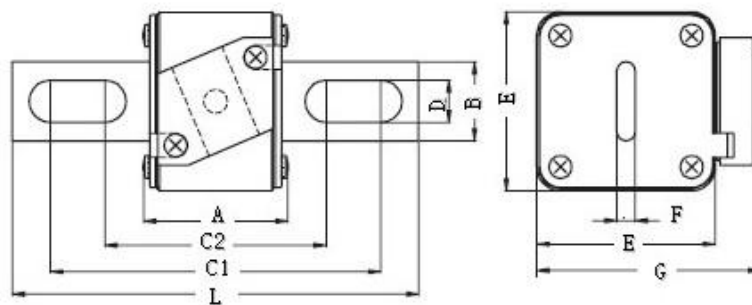
Main Characteristics 主要技术参数 电压Voltage: 1000VAC 电流: from 50A to 1400A 类别: aR

Size 瓷管 代号	Catalog Numbers 订货号	Designation type 型号规格	Electrical Characteristics 电气特性				
		FKE115 Indicator for Micro 中部微动指示	Ampere 电流(A)	Voltage 电压(V)	Pre-arcing 弧前 I ² t(A ² s)	Total 熔断 I ² t@Un(A ² s)	Power 功耗 P _n (W)
0	109M3531	KSM0-50A/1000VAC0FKE115	50A	1000VAC	135	815	20
	109M3532	KSM0-63A/1000VAC0FKE115	63A	1000VAC	215	1300	25
	109M3533	KSM0-80A/1000VAC0FKE115	80A	1000VAC	460	2750	30
	109M3534	KSM0-100A/1000VAC0FKE115	100A	1000VAC	860	5100	35
	109M3535	KSM0-125A/1000VAC0FKE115	125A	1000VAC	1450	8600	40
	109M3536	KSM0-160A/1000VAC0FKE115	160A	1000VAC	2850	17500	45
	109M3537	KSM0-200A/1000VAC0FKE115	200A	1000VAC	4950	29500	48
	109M3538	KSM0-250A/1000VAC0FKE115	250A	1000VAC	9550	57000	50
	109M3539	KSM0-315A/1000VAC0FKE115	315A	1000VAC	21500	130000	60
	109M3540	KSM0-350A/1000VAC0FKE115	350A	1000VAC	29000	175000	65
109M3541	KSM0-400A/1000VAC0FKE115	400A	1000VAC	42000	250000	70	
1	109M4531	KSM1-160A/1000VAC1FKE115	160A	1000VAC	2200	13500	40
	109M4532	KSM1-200A/1000VAC1FKE115	200A	1000VAC	4150	24500	45
	109M4533	KSM1-250A/1000VAC1FKE115	250A	1000VAC	7750	46000	52
	109M4534	KSM1-315A/1000VAC1FKE115	315A	1000VAC	16500	98500	60
	109M4535	KSM1-350A/1000VAC1FKE115	350A	1000VAC	21500	130000	65
	109M4536	KSM1-400A/1000VAC1FKE115	400A	1000VAC	31000	185000	70
	109M4537	KSM1-450A/1000VAC1FKE115	450A	1000VAC	44500	265000	80
	109M4538	KSM1-500A/1000VAC1FKE115	500A	1000VAC	63000	375000	85
	109M4539	KSM1-550A/1000VAC1FKE115	550A	1000VAC	84500	500000	90
	109M4540	KSM1-630A/1000VAC1FKE115	630A	1000VAC	125000	755000	98
2	109M5531	KSM2-250A/1000VAC2FKE115	250A	1000VAC	6750	40000	65
	109M5532	KSM2-315A/1000VAC2FKE115	315A	1000VAC	13500	81500	75
	109M5533	KSM2-350A/1000VAC2FKE115	350A	1000VAC	16500	99000	80
	109M5534	KSM2-400A/1000VAC2FKE115	400A	1000VAC	26000	155000	85
	109M5535	KSM2-450A/1000VAC2FKE115	450A	1000VAC	35500	210000	90
	109M5536	KSM2-500A/1000VAC2FKE115	500A	1000VAC	49500	295000	95
	109M5537	KSM2-550A/1000VAC2FKE115	550A	1000VAC	66000	390000	100
	109M5538	KSM2-630A/1000VAC2FKE115	630A	1000VAC	93500	555000	110
	109M5539	KSM2-700A/1000VAC2FKE115	700A	1000VAC	130000	770000	115
	109M5540	KSM2-800A/1000VAC2FKE115	800A	1000VAC	195000	1200000	125
3	109M8531	KSM3-315A/1000VAC3FKE115	315A	1000VAC	9200	54500	90
	109M8532	KSM3-350A/1000VAC3FKE115	350A	1000VAC	13000	77500	95
	109M8533	KSM3-400A/1000VAC3FKE115	400A	1000VAC	19000	115000	105
	109M8534	KSM3-450A/1000VAC3FKE115	450A	1000VAC	27000	160000	107

Main Characteristics 主要技术参数 电压Voltage: 1000VAC 电流: from 50A to 1400A 类别: aR

Size 瓷管 代号	Catalog Numbers 订货号	Designation type 型号规格	Electrical Characteristics 电气特性				
		FKE115/ Type K Indicator for Micro 中部微动指示	Ampere 电流(A)	Voltage 电压(V)	Pre-arcing 弧前 I ² t(A ² s)	Total 熔断 I ² t@Un(A ² s)	Power 功耗 P _n (W)
3	109M8535	KSM3-500A/1000VAC3FKE115	500A	1000VAC	37500	225000	110
	109M8536	KSM3-550A/1000VAC3FKE115	550A	1000VAC	52000	310000	115
	109M8537	KSM3-630A/1000VAC3FKE115	630A	1000VAC	82500	490000	120
	109M8538	KSM3-700A/1000VAC3FKE115	700A	1000VAC	115000	700000	125
	109M8539	KSM3-800A/1000VAC3FKE115	800A	1000VAC	170000	1050000	135
	109M8540	KSM3-900A/1000VAC3FKE115	900A	1000VAC	250000	1500000	145
	109M8541	KSM3-1000A/1000VAC3FKE115	1000A	1000VAC	340000	2050000	150
	109M8542	KSM3-1100A/1000VAC3FKE115	1100A	1000VAC	460000	2750000	155
	109M8543	KSM3-1250A/1000VAC3FKE115	1250A	1000VAC	575000	3400000	175
	109M8544	KSM3-1400A/900VAC3FKE115	1400A	900VAC	795000	4200000	185

Dimensions(mm) 安装示意图:



Size	Type : -FKE/115 Dimensions(mm)								
Size	A	B	C1	C2	D	E	F	G	L
0	74	20	130	101	10	43	6	58	156
1	74	25	127	102	14	51	6	66	160
2	74	25	127	102	14	60	6	75	160
3	74	39	128	101	16	75	6	91	159



Main Characteristics 主要技术参数 电压Voltage: 1250VAC 电流: from 50A to 1400A 类别: aR

Size 瓷管 代号	Catalog Numbers 订货号	Designation type 型号规格	Electrical Characteristics 电气特性				
		BKN/ Type K/75 Indicator for Micro 中部微动指示	Ampere 电流(A)	Voltage 电压(V)	Pre-arcing 弧前 I ² t (A ² S)	Total 熔断 I ² t @ Un V(A ² S)	Watts Loss 功(W)
0	109M3388	KSP0-50A/1250VAC0BKN75	50A	1250VAC	135	1100	15
	109M3389	KSP0-63A/1250VAC0BKN75	63A	1250VAC	215	1750	20
	109M3390	KSP0-80A/1250VAC0BKN75	80A	1250VAC	420	3350	25
	109M3391	KSP0-100A/1250VAC0BKN75	100A	1250VAC	750	5950	30
	109M3392	KSP0-125A/1250VAC0BKN75	125A	1250VAC	1450	11500	35
	109M3393	KSP0-160A/1250VAC0BKN75	160A	1250VAC	2600	21000	40
	109M3394	KSP0-200A/1250VAC0BKN75	200A	1250VAC	5150	41000	45
	109M3395	KSP0-250A/1250VAC0BKN75	250A	1250VAC	9200	73000	55
	109M3396	KSP0-315A/1250VAC0BKN75	315A	1250VAC	18500	150000	60
109M3397	KSP0-350A/1250VAC0BKN75	350A	1250VAC	27000	220000	65	
1	109M4388	KSP1-160A/1250VAC1BKN75	160A	1250VAC	1900	15500	45
	109M4389	KSP1-200A/1250VAC1BKN75	200A	1250VAC	3800	30000	50
	109M4390	KSP1-250A/1250VAC1BKN75	250A	1250VAC	7750	61500	60
	109M4391	KSP1-315A/1250VAC1BKN75	315A	1250VAC	15000	120000	65
	109M4392	KSP1-350A/1250VAC1BKN75	350A	1250VAC	20000	165000	70
	109M4393	KSP1-400A/1250VAC1BKN75	400A	1250VAC	29500	235000	75
	109M4394	KSP1-450A/1250VAC1BKN75	450A	1250VAC	42000	335000	80
	109M4395	KSP1-500A/1100VAC1BKN75	500A	1100VAC	69500	435000	85
	109M4396	KSP1-550A/1000VAC1BKN75	550A	1000VAC	95000	590000	95
109M4397	KSP1-630A/1000VAC1BKN75	630A	1000VAC	130000	785000	100	
2	109M5388	KSP2-250A/1250VAC2BKN75	250A	1250VAC	6500	51500	65
	109M5389	KSP2-280A/1250VAC2BKN75	280A	1250VAC	9350	74500	70
	109M5390	KSP2-315A/1250VAC2BKN75	315A	1250VAC	13000	105000	75
	109M5391	KSP2-350A/1250VAC2BKN75	350A	1250VAC	16500	135000	80
	109M5392	KSP2-400A/1250VAC2BKN75	400A	1250VAC	23000	180000	85
	109M5393	KSP2-450A/1250VAC2BKN75	450A	1250VAC	34000	270000	90
	109M5394	KSP2-500A/1250VAC2BKN75	500A	1250VAC	48000	380000	95
	109M5395	KSP2-550A/1250VAC2BKN75	550A	1250VAC	62000	495000	100
	109M5396	KSP2-630A/1100VAC2BKN75	630A	1100VAC	115000	730000	110
	109M5397	KSP2-700A/1000VAC2BKN75	700A	1000VAC	160000	1050000	115
109M5398	KSP2-800A/1000VAC2BKN75	800A	1000VAC	245000	1550000	120	
3	109M6338	KSP3-315A/1250VAC3BKN75	315A	1250VAC	9500	77500	85
	109M6339	KSP3-350A/1250VAC3BKN75	350A	1250VAC	13500	110000	90
	109M6340	KSP3-400A/1250VAC3BKN75	400A	1250VAC	19500	160000	95
	109M6341	KSP3-450A/1250VAC3BKN75	450A	1250VAC	31000	245000	100

Main Characteristics 主要技术参数 电压Voltage: 1250VAC 电流: from 50A to 1100A 类别: aR

Size 瓷管 代号	Catalog Numbers 订货号	Designation type 型号规格	Electrical Characteristics 电气特性				
		BKN/ Type K/75 Indicator for Micro 中部微动指示	Ampere 电流(A)	Voltage 电压(V)	Pre-arcing 弧前 I ² t (A ² S)	Total 熔断 I ² t @ Un V(A ² S)	Watts Loss 功(W)
3	109M6342	KSP3-500A/1250VAC3BKN75	500A	1250VAC	39000	310000	105
	109M6343	KSP3-550A/1250VAC3BKN75	550A	1250VAC	55000	435000	110
	109M6344	KSP3-630A/1250VAC3BKN75	630A	1250VAC	83500	665000	115
	109M6345	KSP3-700A/1250VAC3BKN75	700A	1250VAC	115000	940000	120
	109M6346	KSP3-800A/1100VAC3BKN75	800A	1100VAC	205000	1300000	125
	109M6347	KSP3-900A/1100VAC3BKN75	900A	1100VAC	305000	1900000	130
	109M6348	KSP3-1000A/1000VAC3BKN75	1000A	1000VAC	450000	2750000	135
	109M6349	KSP3-1100A/1000VAC3BKN75	1100A	1000VAC	575000	3600000	140

Provide state of the art protection for high power semiconductors such as diodes, thyristors, GTO, IGCT' and IGBT.

为二极管, 晶闸管, GTO, IGCT 和 IGBT 等大功率半导体提供最先进的保护。

They have pure silver fuse elements embedded in solidified sand which provides optimized I²t and high interrupting rating. All contact surfaces are plated and all hardware nonmagnetic.

99.99%纯银熔体, 高强度石英砂、低 I²t、接触表面均镀有电镀, 所有硬件均为非磁性材料。

All fuses are standard with a low voltage blown fuse indicator. This indicator can operate a micro-switch which is easily mounted directly onto the fuse in service. 熔断器均采用低压熔断器指示器。指示器可以操作微型开关, 直接安装在熔断器上。

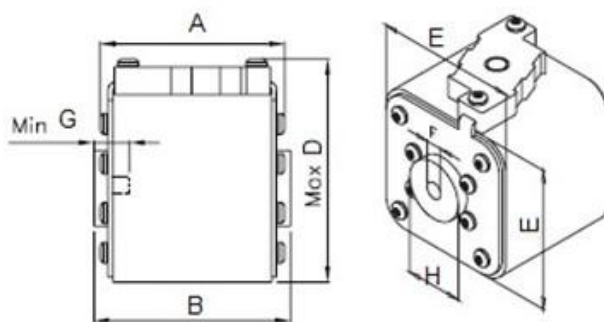
APPLICATIONS 应用: Protection of large rectifiers, inverters, static transfer switch, AC & DC drives and UPS systems.

保护大型整流器, 逆变器, 静电转移开关, 交流和直流驱动器 and UPS 系统。

IEC 269-4 compliance for fuses for worldwide semiconductor applications 执行 IEC269.4 半导体保护熔断器标准。

Cooling method 熔断器冷却方式: Natural cooling 自然冷却、Forced air cooling 强迫风冷(风速 6m/s).

Dimensions(mm) 安装示意图:



Catalog Numbers 订货代码	A	B	D	E	F	G	H
0BKN/75	73	75±2	58	43	M8	8	Φ17
1BKN/75	73	75±2	66	51	M8	8	Φ20
2BKN/75	73	75±2	75	60	M10	10	Φ25
3BKN/75	73	75±2	90	75	M12	10	Φ30

Main Characteristics 主要技术参数 电压Voltage: 1250VAC 电流: from 50A to 1400A 类别: aR

Size 瓷管 代号	Catalog Numbers 订货号	Designation type 型号规格	Electrical Characteristics 电气特性				
		BKN/ Type K/80 Indicator for Micro 中部微动指示	Ampere 电流(A)	Voltage 电压(V)	Pre-arcing 弧前 I ² t (A ² S)	Total 熔断 I ² t @ Un V(A ² S)	Watts Loss 功耗(W)
0	109M3438	KSP0-50A/1250VAC0BKN80	50A	1250VAC	135	1100	15
	109M3439	KSP0-63A/1250VAC0BKN80	63A	1250VAC	215	1750	20
	109M3440	KSP0-80A/1250VAC0BKN80	80A	1250VAC	420	3350	25
	109M3441	KSP0-100A/1250VAC 0BKN80	100A	1250VAC	750	5950	30
	109M3442	KSP0-125A/1250VAC0BKN80	125A	1250VAC	1450	11500	35
	109M3443	KSP0-160A/1250VAC0BKN80	160A	1250VAC	2600	21000	40
	109M3444	KSP0-200A/1250VAC0BKN80	200A	1250VAC	5150	41000	45
	109M3445	KSP0-250A/1250VAC0BKN80	250A	1250VAC	9200	73000	55
	109M3446	KSP0-315A/1250VAC0BKN80	315A	1250VAC	18500	150000	60
	109M3447	KSP0-350A/1250VAC0BKN80	350A	1250VAC	27000	220000	65
109M3448	KSP0-400A/1250VAC0BKN80	400A	1250VAC	53000	335000	70	
1	109M4438	KSP1-160A/1250VAC1BKN80	160A	1250VAC	1900	15500	45
	109M4439	KSP1-200A/1250VAC1BKN80	200A	1250VAC	3800	30000	50
	109M4440	KSP1-250A/1250VAC1BKN80	250A	1250VAC	7750	61500	60
	109M4441	KSP1-315A/1250VAC1BKN80	315A	1250VAC	15000	120000	65
	109M4442	KSP1-350A/1250VAC1BKN80	350A	1250VAC	20000	165000	70
	109M4443	KSP1-400A/1250VAC1BKN80	400A	1250VAC	29500	235000	75
	109M4444	KSP1-450A/1250VAC1BKN80	450A	1250VAC	42000	335000	80
	109M4445	KSP1-500A/1250VAC1BKN80	500A	1250VAC	69500	435000	85
	109M4446	KSP1-550A/1250VAC1BKN80	550A	1250VAC	95000	590000	95
	109M4447	KSP1-630A/1100VAC1BKN80	630A	1100VAC	130000	785000	100
2	109M5438	KSP2-250A/1250VAC2BKN80	250A	1250VAC	6500	51500	65
	109M5439	KSP2-280A/1250VAC2BKN80	280A	1250VAC	9350	74500	70
	109M5440	KSP2-315A/1250VAC2BKN80	315A	1250VAC	13000	105000	75
	109M5441	KSP2-350A/1250VAC2BKN80	350A	1250VAC	16500	135000	80
	109M5442	KSP2-400A/1250VAC2BKN80	400A	1250VAC	23000	180000	85
	109M5443	KSP2-450A/1250VAC2BKN80	450A	1250VAC	34000	270000	90
	109M5444	KSP2-500A/1250VAC2BKN80	500A	1250VAC	48000	380000	95
	109M5445	KSP2-550A/1250VAC2BKN80	550A	1250VAC	62000	495000	100
	109M5446	KSP2-630A/1250VAC2BKN80	630A	1250VAC	115000	730000	110
	109M5447	KSP2-700A/1100VAC2BKN80	700A	1250VAC	160000	1050000	115
109M5448	KSP2-800A/1000VAC2BKN80	800A	1250VAC	245000	1550000	120	
3	109M6538	KSP3-315A/1250VAC3BKN80	315A	1250VAC	9500	77500	85
	109M6539	KSP3-350A/1250VAC3BKN80	350A	1250VAC	13500	110000	90
	109M6540	KSP3-400A/1250VAC3BKN80	400A	1250VAC	19500	160000	95
	109M6541	KSP3-450A/1250VAC3BKN80	450A	1250VAC	31000	245000	100

Main Characteristics 主要技术参数 电压 Voltage: 1250VAC 电流: from 50A to 1400A 类别: aR

Size 瓷管 代号	Catalog Numbers 订货号	Designation type 型号规格	Electrical Characteristics 电气特性				
		BKN/ Type K/80 Indicator	Ampere	Voltage	Pre-arcing	Total 熔断 I ² t @	Watts
		BKN/ Type K/90 Indicator	电流(A)	电压(V)	弧前 I ² t (A ² S)	Un V(A ² S)	Loss 功耗(W)
3	109M6542	KSP3-500A/1250VAC3BKN80	500A	1250VAC	39000	310000	105
	109M6543	KSP3-550A/1250VAC3BKN80	550A	1250VAC	55000	435000	110
	109M6544	KSP3-630A/1250VAC3BKN80	630A	1250VAC	83500	665000	115
	109M6545	KSP3-700A/1250VAC3BKN80	700A	1250VAC	115000	940000	120
	109M6546	KSP3-800A/1250VAC3BKN80	800A	1250VAC	205000	1300000	125
	109M6547	KSP3-900A/1100VAC3BKN80	900A	1100VAC	305000	1900000	130
	109M6548	KSP3-1000A/1100VAC3BKN80	1000A	1100VAC	450000	2750000	135
	109M6549	KSP3-1000A/1000VAC3BKN80	1100A	1000VAC	575000	3600000	140
2	109M5494	KSP2-500A/1250VAC2BKN90	500A	1250VAC	6200	49500	100
	109M5495	KSP2-550A/1250VAC2BKN90	550A	1250VAC	11500	73000	110
	109M5496	KSP2-630A/1250VAC2BKN90	630A	1250VAC	16000	105000	115
	109M5497	KSP2-700A/1250VAC2BKN90	700A	1250VAC	24500	155000	120
	109M5498	KSP2-800A/1250VAC2BKN90	800A	1250VAC	36000	186000	125
	109M5499	KSP2-900A/1100VAC2BKN90	900A	1100VAC	48000	378600	135
	109M5500	KSP2-1000A/1100VAC2BKN90	1000A	1100VAC	62000	495000	100
3	109M6494	KSP3-630A/1250VAC3BKN90	630A	1250VAC	8350	665000	115
	109M6495	KSP3-700A/1250VAC3BKN90	700A	1250VAC	11500	940000	120
	109M6496	KSP3-800A/1250VAC3BKN90	800A	1250VAC	20500	1300000	125
	109M6497	KSP3-900A/1250VAC3BKN90	900A	1250VAC	305000	1900000	130
	109M6498	KSP3-1000A/1250VAC3BKN90	1000A	1250VAC	450000	2750000	135
	109M6499	KSP3-1100A/1250VAC3BKN90	1100A	1250VAC	575000	3600000	140
	109M6500	KSP3-1250A/1100VAC3BKN90	1250A	1100VAC	810000	4950000	145
	109M6501	KSP3-1400A/1100VAC3BKN90	1400A	1100VAC	1250000	6800000	150

Provide state of the art protection for high power semiconductors such as diodes, thyristors, GTO, IGCT' and IGBT.

为二极管, 晶闸管, GTO, IGCT 和 IGBT 等大功率半导体提供最先进的保护。

They have pure silver fuse elements embedded in solidified sand which provides optimized I²t and high interrupting rating. All contact surfaces are plated and all hardware nonmagnetic.

99.99%纯银熔体, 高强度石英砂、低 I²t、接触表面均镀有电镀, 所有硬件均为非磁性材料。

All fuses are standard with a low voltage blown fuse indicator. This indicator can operate a micro-switch which is easily mounted directly onto the fuse in service. 熔断器均采用低压熔断器指示器。指示器可以操作微型开关, 直接安装在熔断器上。

APPLICATIONS 应用: Protection of large rectifiers, inverters, static transfer switch, AC & DC drives and UPS systems.

保护大型整流器, 逆变器, 静电转移开关, 交流和直流驱动器和 UPS 系统。

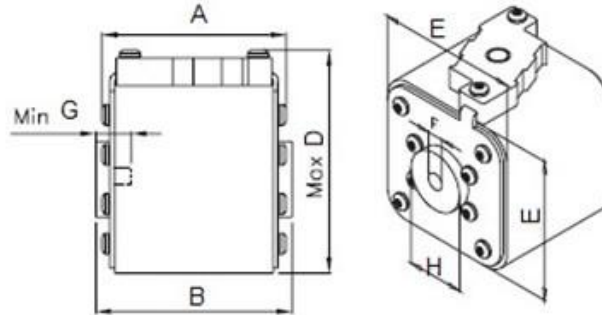
IEC 269-4 compliance for fuses for worldwide semiconductor applications

执行 IEC269.4 半导体保护熔断器标准。

Cooling method 熔断器冷却方式: Natural cooling 自然冷却、Forced air cooling 强迫风冷(风速 6m/s)。

Main Characteristics 主要技术参数 电压Voltage: 1250VAC 电流: from 50A to 1100A 类别: aR

Dimensions(mm)安装示意图:



Catalog Numbers 订货代码	A	B	D	E	F	G	H
0BKN/80	79	81±2	58	43	M8	8	Φ17
1BKN/80	79	81±2	66	51	M8	8	Φ20
2BKN/80	79	81±2	75	60	M10	10	Φ25
3BKN/80	79	81±2	90	75	M12	10	Φ30
2BKN/90	79	90±2	75	60	M10	10	Φ25
3BKN/90	81	90±2	90	75	M12	10	Φ30



Main Characteristics 主要技术参数 电压Voltage: 1250VAC 电流: from 1400A to 2500A 类别: aR

Size 瓷管 代号	Catalog Numbers 订货号	Designation type 型号规格	Electrical Characteristics 电气特性				
		BKN/ 105 Indicator 带微动 SBKN/ 105 Indicator 带微动	Ampere 电流(A)	Voltage 电压(V)	Pre-arcing 弧前 I ² t (A ² S)	Total 熔断 I ² t @ 1250V(A ² S)	Watts Loss 功(W)
5	109M7217	KSP54-1400A/1250VAC54BKN105	1400A	1250VAC	800000	5000000	195
	109M7597	KSP54-1500A/1250VAC54BKN105	1500A	1250VAC	1000000	6200000	200
	109M7676	KSP54-1700A/1250VAC54BKN105	1700A	1250VAC	1400000	8700000	220
	109M7532	KSP54-1800A/1250VAC54BKN105	1800A	1250VAC	1700000	11000000	225
	109M7633	KSP54-2000A/1250VAC54BKN105	2000A	1250VAC	2300000	14500000	235
	109M7592	KSP54-2200A/1250VAC54BKN105	2200A	1250VAC	3100000	19500000	245
	109M7107	KSP54-2400A/1250VAC54BKN105	2400A	1250VAC	4000000	25000000	255
	109M7595	KSP54-2500A/1250VAC54BKN105	2500A	1250VAC	4500000	28000000	260
5	109M7512	KSP54S-1400A/1250VAC54SBKN105	1400A	1250VAC	800000	5000000	195
	109M7510	KSP54S-1500A/1250VAC54SBKN105	1500A	1250VAC	1000000	6200000	200
	109M7511	KSP54S-1700A/1250VAC54SBKN105	1700A	1250VAC	1400000	8700000	220
	109M7976	KSP54S-1800A/1250VAC54SBKN105	1800A	1250VAC	1700000	11000000	225
	109M7513	KSP54S-2000A/1250VAC54SBKN105	2000A	1250VAC	2300000	14500000	235
	109M7546	KSP54S-2200A/1250VAC54SBKN105	2200A	1250VAC	3100000	19500000	245
	109M7516	KSP54S-2400A/1250VAC54SBKN105	2400A	1250VAC	4000000	25000000	255
	109M7978	KSP54S-2500A/1250VAC54SBKN105	2500A	1250VAC	4500000	28000000	260

Provide state of the art protection for high power semiconductors such as diodes, thyristors, GTO, IGCT' and IGBT.

为二极管, 晶闸管, GTO, IGCT 和 IGBT 等大功率半导体提供最先进的保护。

They have pure silver fuse elements embedded in solidified sand which provides optimized I²t and high interrupting rating. All contact surfaces are plated and all hardware nonmagnetic.

99.99%纯银熔体, 高强度石英砂、低 I²t、接触表面均镀有电镀, 所有硬件均为非磁性材料。

All fuses are standard with a low voltage blown fuse indicator. This indicator can operate a micro-switch which is easily mounted directly onto the fuse in service. 熔断器均采用低压熔断器指示器。指示器可以操作微型开关, 直接安装在熔断器上。

APPLICATIONS 应用: Protection of large rectifiers, inverters, static transfer switch, AC & DC drives and UPS systems.

保护大型整流器, 逆变器, 静电转移开关, 交流和直流驱动器和 UPS 系统。

IEC 269-4 compliance for fuses for worldwide semiconductor applications

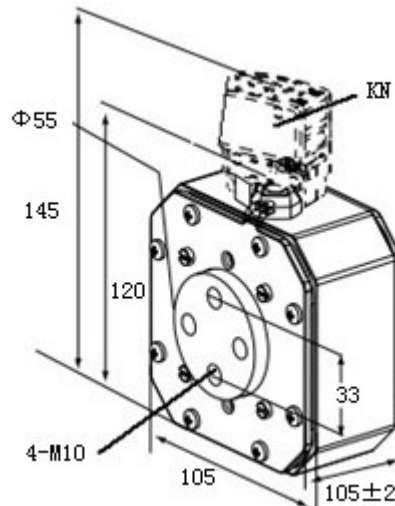
执行 IEC269.4 半导体保护熔断器标准。

Cooling method 熔断器冷却方式: Natural cooling 自然冷却、Forced air cooling 强迫风冷(风速 6m/s)。

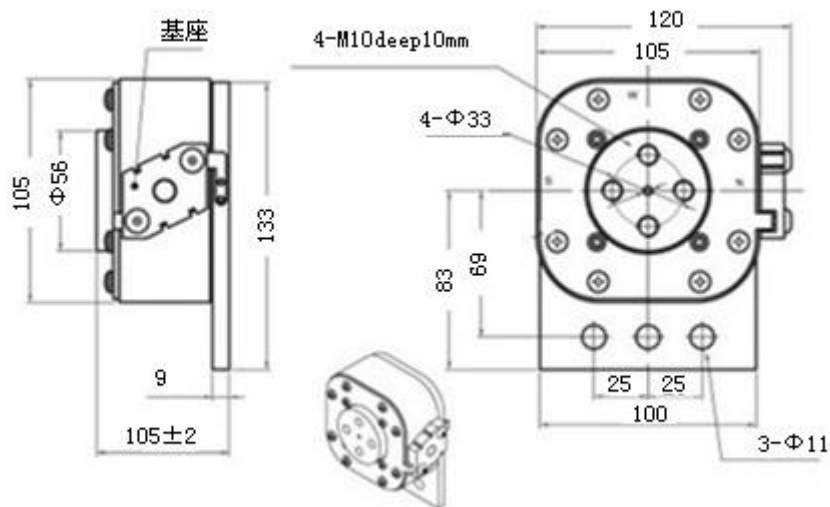


Main Characteristics 主要技术参数 电压Voltage: 1250VAC 电流: from 1400A to 2500A 类别: aR

Dimensions(mm) 安装示意图: 54BKN105



Dimensions(mm) 安装示意图: 54SBKN105



Main Characteristics 主要技术参数 电压Voltage: 1250VAC 电流: from 630A to 2800A 类别: aR

Size 瓷管 代号	Catalog Numbers 订货号	Designation type 型号规格 BK_/75 Type K 微动指示 BK_/80 Type K 微动指示	Electrical Characteristics 电气特性				
			Ampere 电流(A)	Voltage 电压(V)	Pre-arcing 弧前 I ² t(A ² S)	Total 熔断 I ² t @ 1250V(A ² S)	Watts Loss 功耗(W)
23	109M6795	KSH23-630A/1250VAC 23BKE75	630A	1250VAC	38000	310000	170
	109M6796	KSH23-700A/1250VAC23BKE75	700A	1250VAC	54000	440000	180
	109M6797	KSH23-800A/1250VAC23BKE75	800A	1250VAC	78000	640000	190
	109M6807	KSH23-900A/1250VAC23BKE75	900A	1250VAC	120000	980000	200
	109M6798	KSH23-1000A/1250VAC23BKE75	1000A	1250VAC	155000	1250000	210
	109M6799	KSH23-1100A/1250VAC23BKE75	1100A	1250VAC	220000	1750000	220
	109M6800	KSH23-1250A/1250VAC23BKE75	1250A	1250VAC	330000	2700000	230
	109M6801	KSH23-1400A/1250VAC23BKE75	1400A	1250VAC	460000	3800000	240
	109M6802	KSH23-1600A/1250VAC23BKE75	1600A	1250VAC	820000	5200000	250
	109M6803	KSH23-1800A.1250VAC23BKE75	1800A	1250VAC	1200000	7600000	260
	109M6804	KSH23-2000A/1250VAC23BKE80	2000A	1250VAC	1800000	11000000	270
	109M6833	KSH23-2200A/1250VAC23BKE80	2200A	1250VAC	2300000	14500000	280
	109M6834	KSH23-2500A/1100VAC23BKE80	2500A	1100VAC	3200000	16000000	290
	109M6835	KSH23-2800A/1100VAC23BKE80	2800A	1100VAC	5000000	24000000	300
23	109M6785	KSH23-630A/1250VAC 23BKN75	630A	1250VAC	38000	310000	170
	109M6786	KSH23-700A/1250VAC23BKN75	700A	1250VAC	54000	440000	180
	109M6787	KSH23-800A/1250VAC23BKN75	800A	1250VAC	78000	640000	190
	109M6806	KSH23-900A/1250VAC23BKN75	900A	1250VAC	120000	980000	200
	109M6788	KSH23-1000A/1250VAC23BKN75	1000A	1250VAC	155000	1250000	210
	109M6789	KSH23-1100A/1250VAC23BKN75	1100A	1250VAC	220000	1750000	220
	109M6790	KSH23-1250A/1250VAC23BKN75	1250A	1250VAC	330000	2700000	230
	109M6791	KSH23-1400A/1250VAC23BKN75	1400A	1250VAC	460000	3800000	240
	109M6792	KSH23-1600A/1250VAC23BKN75	1600A	1250VAC	820000	5200000	250
	109M6793	KSH23-1800A.1250VAC23BKN75	1800A	1250VAC	1200000	7600000	260
	109M6794	KSH23-2000A/1250VAC23BKN80	2000A	1250VAC	1800000	11000000	270
	109M6827	KSH23-2200A/1250VAC23BKN80	2200A	1250VAC	2300000	14500000	280
	109M6828	KSH23-2500A/1100VAC23BKN80	2500A	1100VAC	3200000	16000000	290
	109M6829	KSH23-2800A/1100VAC23BKN80	2800A	1100VAC	5000000	24000000	300

Provide state of the art protection for high power semiconductors such as diodes, thyristors, GTO, IGCT' and IGBT。为二极管，晶闸管，GTO，IGCT 和 IGBT 等大功率半导体提供最先进的保护。

They have pure silver fuse elements embedded in solidified sand which provides optimized I²t and high interrupting rating. All contact surfaces are plated and all hardware nonmagnetic。99.99%纯银熔体，高强度石英砂、低 I²t、接触表面均镀有电镀，所有硬件均为非磁性材料。

All fuses are standard with a low voltage blown fuse indicator. This indicator can operate a micro-switch which is easily mounted directly onto the fuse in service。熔断器均采用低压熔断器指示器。指示器可以操作微型开关，直接安装在熔断器上。指示器有 KN 和 KE 两种位置，任选一种。

Main Characteristics 主要技术参数 电压Voltage: 1250VAC 电流: from 630A to 2800A 类别: aR

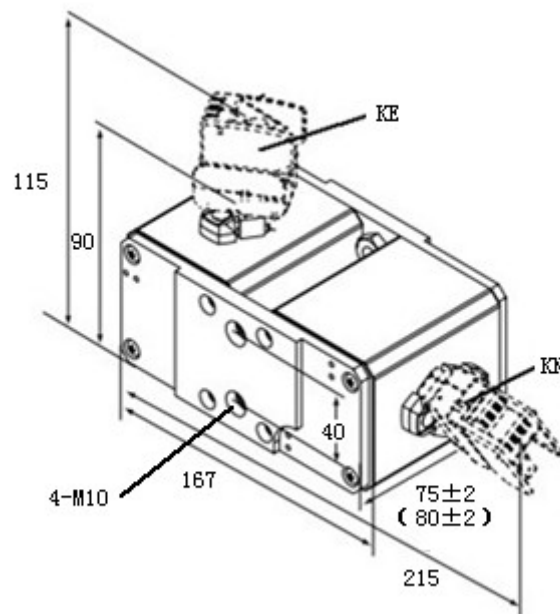
APPLICATIONS 应用: Protection of large rectifiers, inverters, static transfer switch, AC & DC drives and UPS systems.

保护大型整流器, 逆变器, 静电转移开关, 交流和直流驱动器 and UPS 系统。

IEC 269-4 compliance for fuses for worldwide semiconductor applications 执行 IEC269.4 半导体保护熔断器标准。

Cooling method 熔断器冷却方式: Natural cooling 自然冷却、Forced air cooling 强迫风冷(风速 6m/s).

Dimensions(mm) 安装示意图:



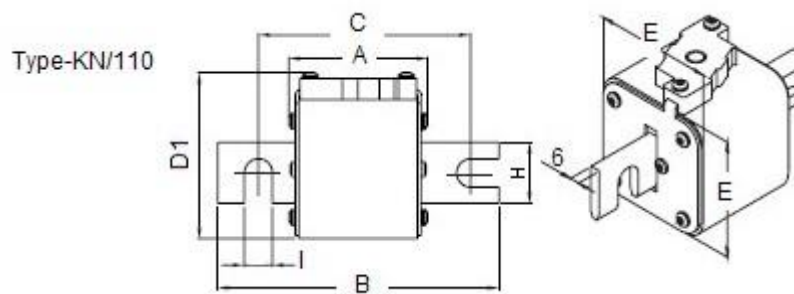
Main Characteristics 主要技术参数 电压Voltage: 1250VAC 电流: from 50A to 1400A 类别: aR

Size 瓷管 代号	Catalog Numbers 订货号	Designation type 型号规格	Electrical Characteristics 电气特性				
		KN110 Type Indicator 中部微动指示	Ampere 电流(A)	Pre-arcing 弧前 I ² t (A ² s)	Total 熔断 I ² t @1000V(A ² s)	Total 熔断 I ² t @1250V(A ² s)	Power 功 P _n (W)
0	109M3238	KSZ0-50A/1250VAC0KN110	50A	135	815	1100	15
	109M3239	KSZ0-63A/1250VAC0KN110	63A	215	1300	1750	20
	109M3240	KSZ0-80A/1250VAC0KN110	80A	420	2500	3350	25
	109M3241	KSZ0-100A/1250VAC0KN110	100A	750	4450	5950	30
	109M3242	KSZ0-125A/1250VAC0KN110	125A	1450	9000	11500	35
	109M3243	KSZ0-160A/1250VAC0KN110	160A	2600	16000	21000	40
	109M3244	KSZ0-200A/1250VAC0KN110	200A	5150	31000	41000	45
	109M3245	KSZ0-250A/1250VAC0KN110	250A	9200	54500	73000	55
	109M3246	KSZ0-315A/1250VAC0KN110	315A	18500	115000	150000	60
	109M3247	KSZ0-350A/1250VAC0KN110	350A	27000	165000	220000	65
109M3248	KSZ0-400A/1250VAC0KN110	400A	53000	265000	335000	70	
1	109M4238	KSZ1-160A/1250VAC1KN110	160A	1900	11500	15500	45
	109M4239	KSZ1-200A/1250VAC1KN110	200A	3800	22500	30000	50
	109M4240	KSZ1-250A/1250VAC1KN110	250A	7750	46000	61500	60
	109M4241	KSZ1-315A/1250VAC1KN110	315A	15000	90000	120000	65
	109M4242	KSZ1-350A/1250VAC1KN110	350A	20000	125000	165000	70
	109M4243	KSZ1-400A/1250VAC1KN110	400A	29500	175000	235000	75
	109M4244	KSZ1-450A/1250VAC1KN110	450A	42000	250000	335000	80
	109M4245	KSZ1-500A/1250VAC1KN110	500A	69500	340000	435000	85
	109M4246	KSZ1-550A/1250VAC1KN110	550A	95000	465000	590000	95
	109M4247	KSZ1-630A/1100VAC1KN110	630A	130000	660000	750000	100
2	109M5238	KSZ2-250A/1250VAC2KN110	250A	6500	38500	51500	65
	109M5239	KSZ2-280A/1250VAC2KN110	280A	9350	55500	74500	70
	109M5240	KSZ2-315A/1250VAC2KN110	315A	13000	77500	105000	75
	109M5241	KSZ2-350A/1250VAC2KN110	350A	16500	97500	135000	80
	109M5242	KSZ2-450A/1250VAC2KN110	400A	23000	140000	180000	85
	109M5243	KSZ2-450A/1250VAC2KN110	450A	34000	205000	270000	90
	109M5244	KSZ2-500A/1250VAC2KN110	500A	48000	285000	380000	95
	109M5245	KSZ2-550A/1250VAC2KN110	550A	62000	370000	495000	100
	109M5246	KSZ2-630A/1250VAC2KN110	630A	115000	575000	730000	110
	109M5247	KSZ2-700A/1250VAC2KN110	700A	160000	795000	1050000	115
	109M5248	KSZ2-800A/1250VAC2KN110	800A	245000	1200000	1550000	120
	109M5249	KSZ2-900A/1100VAC2KN110	900A	360000	1750000	1860000	125
	109M5250	KSZ2-1000A/1100VAC2KN110	1000A	480000	2350000	2560000	135

Main Characteristics 主要技术参数 电压Voltage: 1250VAC 电流: from 50A to 1400A 类别: aR

Size 瓷管 代号	Catalog Numbers 订货号	Designation type 型号规格	Electrical Characteristics 电气特性				
		KN110 Type Indicator 中部微动指示	Ampere 电流(A)	Pre-arcing 弧前 I ² t(A ² s)	Total 熔断 I ² t @1000V(A ² s)	Total 熔断 I ² t @1250V(A ² s)	Power 功 P _n (W)
3	109M6238	KSZ3-315A/1250VAC3KN110	315A	9500	58000	77500	85
	109M6239	KSZ3-350A/1250VAC3KN110	350A	13500	81500	110000	90
	109M6240	KSZ3-400A/1250VAC3KN110	400A	19500	120000	160000	95
	109M6241	KSZ3-450A/1250VAC3KN110	450A	31000	185000	245000	100
	109M6242	KSZ3-500A/1250VAC3KN110	500A	39000	235000	310000	105
	109M6243	KSZ3-550A/1250VAC3KN110	550A	55000	325000	435000	110
	109M6244	KSZ3-630A/1250VAC3KN110	630A	83500	495000	665000	115
	109M6245	KSZ3-700A/1250VAC3KN110	700A	115000	705000	940000	120
	109M6246	KSZ3-800A/1250VAC3KN110	800A	205000	995000	1300000	125
	109M6247	KSZ3-900A/1250VAC3KN110	900A	305000	1500000	1900000	130
	109M6248	KSZ3-1000A/1250VAC3KN110	1000A	450000	2150000	2750000	135
	109M6249	KSZ3-1100A/1250VAC3KN110	1100A	575000	2800000	3600000	140
	109M6250	KSZ3-1250A/1100VAC3KN110	1250A	810000	3950000	4250000	145
109M6251	KSZ3-1400A/1100VAC3KN110	1400A	1250000	6000000	6500000	150	

Dimensions(mm) 安装示意图:



size	A	B	C	D1	E	G	H	I
0KN/110	80	145	108±2	61	43	6	22	11
1KN/110	80	145	108±2	69	51	6	25	11
2KN/110	80	145	108±2	77	59	6	25	11
3KN/110	81	145	108±2	92	74	6	30	11

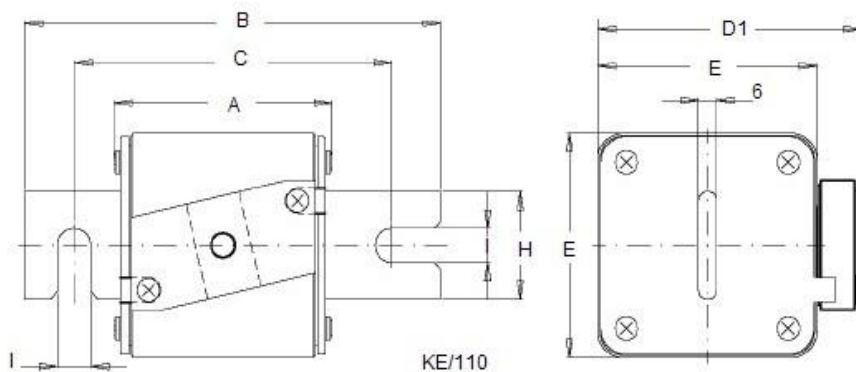
Main Characteristics 主要技术参数 电压Voltage: 1250VAC 电流: from 50A to 1400A 类别: aR

Size 瓷管 代号	Catalog Numbers 订货号	Designation type 型号规格	Electrical Characteristics 电气特性				
		KE110 Type	Ampere	Pre-arcing	Total 熔断 I ² t	Total 熔断 I ² t	Power
		Indicator 中部微动指示	电流(A)	弧前 I ² t(A ² s)	@1000V(A ² s)	@1250V(A ² s)	功耗 P _n (W)
0	109M3738	KSZ0-50A/1250VAC0KE110	50A	135	815	1100	15
	109M3739	KSZ0-63A/1250VAC0KE110	63A	215	1300	1750	20
	109M3740	KSZ0-80A/1250VAC0KE110	80A	420	2500	3350	25
	109M3741	KSZ0-100A/1250VAC0KE110	100A	750	4450	5950	30
	109M3742	KSZ0-125A/1250VAC0KE110	125A	1450	9000	11500	35
	109M3743	KSZ0-160A/1250VAC0KE110	160A	2600	16000	21000	40
	109M3744	KSZ0-200A/1250VAC0KE110	200A	5150	31000	41000	45
	109M3745	KSZ0-250A/1250VAC0KE110	250A	9200	54500	73000	55
	109M3746	KSZ0-315A/1250VAC0KE110	315A	18500	115000	150000	60
	109M3747	KSZ0-350A/1250VAC0KE110	350A	27000	165000	220000	65
	109M3748	KSZ0-400A/1250VAC0KE110	400A	53000	265000	335000	70
1	109M4738	KSZ1-160A/1250VAC1KE110	160A	1900	11500	15500	45
	109M4739	KSZ1-200A/1250VAC1KE110	200A	3800	22500	30000	50
	109M4740	KSZ1-250A/1250VAC1KE110	250A	7750	46000	61500	60
	109M4741	KSZ1-315A/1250VAC1KE110	315A	15000	90000	120000	65
	109M4742	KSZ1-350A/1250VAC1KE110	350A	20000	125000	165000	70
	109M4743	KSZ1-400A/1250VAC1KE110	400A	29500	175000	235000	75
	109M4744	KSZ1-450A/1250VAC1KE110	450A	42000	250000	335000	80
	109M4745	KSZ1-500A/1250VAC1KE110	500A	69500	340000	435000	85
	109M4746	KSZ1-550A/1250VAC1KE110	550A	95000	465000	590000	95
	109M4747	KSZ1-630A/1100VAC1KE110	630A	130000	660000	750000	100
2	109M5738	KSZ2-250A/1250VAC2KE110	250A	6500	38500	51500	65
	109M5739	KSZ2-280A/1250VAC2KE110	280A	9350	55500	74500	70
	109M5740	KSZ2-315A/1250VAC2KE110	315A	13000	77500	105000	75
	109M5741	KSZ2-350A/1250VAC2KE110	350A	16500	97500	135000	80
	109M5742	KSZ2-450A/1250VAC2KE110	400A	23000	140000	180000	85
	109M5743	KSZ2-450A/1250VAC2KE110	450A	34000	205000	270000	90
	109M5744	KSZ2-500A/1250VAC2KE110	500A	48000	285000	380000	95
	109M5745	KSZ2-550A/1250VAC2KE110	550A	62000	370000	495000	100
	109M5746	KSZ2-630A/1250VAC2KE110	630A	115000	575000	730000	110
	109M5747	KSZ2-700A/1250VAC2KE110	700A	160000	795000	1050000	115
	109M5748	KSZ2-800A/1250VAC2KE110	800A	245000	1200000	1550000	120
	109M5749	KSZ2-900A/1100VAC2KE110	900A	360000	1750000	1860000	125
	109M5750	KSZ2-1000A/1100VAC2KE110	1000A	480000	2350000	2560000	135

Main Characteristics 主要技术参数 电压Voltage: 1250VAC 电流: from 50A to 1400A 类别: aR

Size 瓷管 代号	Catalog Numbers 订货号	Designation type 型号规格	Electrical Characteristics 电气特性				
		KE110 Type Indicator 中部微动指示	Ampere 电流(A)	Pre-arcing 弧前 I ² t (A ² s)	Total 熔断 I ² t @1000V(A ² s)	Total 熔断 I ² t @1250V(A ² s)	Power 功 P _n (W)
3	109M6738	KSZ3-315A/1250VAC3KE110	315A	9500	58000	77500	85
	109M6739	KSZ3-350A/1250VAC3KE110	350A	13500	81500	110000	90
	109M6740	KSZ3-400A/1250VAC3KE110	400A	19500	120000	160000	95
	109M6741	KSZ3-450A/1250VAC3KE110	450A	31000	185000	245000	100
	109M6742	KSZ3-500A/1250VAC3KE110	500A	39000	235000	310000	105
	109M6743	KSZ3-550A/1250VAC3KE110	550A	55000	325000	435000	110
	109M6744	KSZ3-630A/1250VAC3KE110	630A	83500	495000	665000	115
	109M6745	KSZ3-700A/1250VAC3KE110	700A	115000	705000	940000	120
	109M6746	KSZ3-800A/1250VAC3KE110	800A	205000	995000	1300000	125
	109M6747	KSZ3-900A/1250VAC3KE110	900A	305000	1500000	1900000	130
	109M6748	KSZ3-1000A/1250VAC3KE110	1000A	450000	2150000	2750000	135
	109M6749	KSZ3-1100A/1250VAC3KE110	1100A	575000	2800000	3600000	140
	109M6750	KSZ3-1250A/1100VAC3KE110	1250A	810000	3950000	4250000	145
	109M6751	KSZ3-1400A/1100VAC3KE110	1400A	1250000	6000000	6500000	150

Dimensions(mm)安装示意图:



size	A	B	C	D1	E	G	H	I
0KE/110	80	145	108±2	61	43	6	22	11
1KE/110	80	145	108±2	69	51	6	25	11
2KE/110	80	145	108±2	77	59	6	25	11
3KE/110	81	145	108±2	92	74	6	30	11



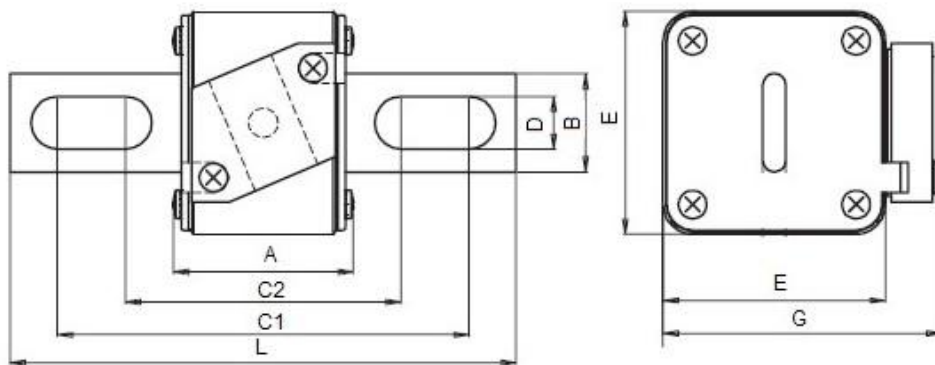
Main Characteristics 主要技术参数 电压Voltage: 1250VAC 电流: from 50A to 1400A 类别: aR

Size 瓷管 代号	Catalog Numbers 订货号	Designation type 型号规格 -FKE/115 Type K indicator for Micro 中部微动指示	Electrical Characteristics 电气特性				
			Ampere 电流(A)	Pre-arcing 弧前 I ² t (A ² s)	Total 熔断 I ² t @1000V(A ² s)	Total 熔断 I ² t @1250V(A ² s)	Power 功 P _n (W)
0	109M3738	KSM0-50A/1250VAC0FKE115	50A	135	815	1100	15
	109M3739	KSM0-63A/1250VAC0FKE115	63A	215	1300	1750	20
	109M3740	KSM0-80A/1250VAC0FKE115	80A	420	2500	3350	25
	109M3741	KSM0-100A/1250VAC0FKE115	100A	750	4450	5950	30
	109M3742	KSM0-125A/1250VAC0FKE115	125A	1450	9000	11500	35
	109M3743	KSM0-160A/1250VAC0FKE115	160A	2600	16000	21000	40
	109M3744	KSM0-200A/1250VAC0FKE115	200A	5150	31000	41000	45
	109M3745	KSM0-250A/1250VAC0FKE115	250A	9200	54500	73000	55
	109M3746	KSM0-315A/1250VAC0FKE115	315A	18500	115000	150000	60
	109M3747	KSM0-350A/1250VAC0FKE115	350A	27000	165000	220000	65
109M3748	KSM0-400A/1250VAC0FKE115	400A	53000	265000	335000	70	
1	109M4738	KSM1-160A/1250VAC1FKE115	160A	1900	11500	15500	45
	109M4739	KSM1-200A/1250VAC1FKE115	200A	3800	22500	30000	50
	109M4740	KSM1-250A/1250VAC1FKE115	250A	7750	46000	61500	60
	109M4741	KSM1-315A/1250VAC1FKE115	315A	15000	90000	120000	65
	109M4742	KSM1-350A/1250VAC1FKE115	350A	20000	125000	165000	70
	109M4743	KSM1-400A/1250VAC1FKE115	400A	29500	175000	235000	75
	109M4744	KSM1-450A/1250VAC1FKE115	450A	42000	250000	335000	80
	109M4745	KSM1-500A/1250VAC1FKE115	500A	69500	340000	435000	85
	109M4746	KSM1-550A/1250VAC1FKE115	550A	95000	465000	590000	95
	109M4747	KSM1-630A/1100VAC1FKE115	630A	130000	660000	730000	100
2	109M5738	KSM2-250A/1250VAC2FKE115	250A	6500	38500	51500	65
	109M5739	KSM2-280A/1250VAC2FKE115	280A	9350	55500	74500	70
	109M5740	KSM2-315A/1250VAC2FKE115	315A	13000	77500	105000	75
	109M5741	KSM2-350A/1250VAC2FKE115	350A	16500	97500	135000	80
	109M5742	KSM2-400A/1250VAC2FKE115	400A	23000	140000	180000	85
	109M5743	KSM2-450A/1250VAC2FKE115	450A	34000	205000	270000	90
	109M5744	KSM2-500A/1250VAC2FKE115	500A	48000	285000	380000	95
	109M5745	KSM2-550A/1250VAC2FKE115	550A	62000	370000	495000	100
	109M5746	KSM2-630A/1250VAC2FKE115	630A	115000	575000	730000	110
	109M5747	KSM2-700A/1250VAC2FKE115	700A	160000	795000	1050000	115
	109M5748	KSM2-800A/1250VAC2FKE115	800A	245000	1200000	1550000	120
	109M5749	KSM2-900A/1100VAC2FKE115	900A	360000	1750000	1890000	125
	109M5750	KSM2-1000A/1100VAC2FKE115	1000A	480000	2350000	2560000	135

Main Characteristics 主要技术参数 电压Voltage: 1250VAC 电流: from 50A to 1400A 类别: aR

Size 瓷管 代号	Catalog Numbers 订货号	Designation type 型号规格 -FKE/115 Type K indicator for Micro 中部微动指示	Electrical Characteristics 电气特性				
			Ampere 电流(A)	Pre-arcing 弧前 I ² t (A ² s)	Total 熔断 I ² t @1000V(A ² s)	Total 熔断 I ² t @1250V(A ² s)	Power P _n (W) 功耗
3	109M6738	KSM3-315A/1250VAC3FKE115	315A	9500	58000	77500	85
	109M6739	KSM3-350A/1250VAC3FKE115	350A	13500	81500	110000	90
	109M6740	KSM3-400A/1250VAC3FKE115	400A	19500	120000	160000	95
	109M6741	KSM3-450A/1250VAC3FKE115	450A	31000	185000	245000	100
	109M6742	KSM3-500A/1250VAC3FKE115	500A	39000	235000	310000	105
	109M6743	KSM3-550A/1250VAC3FKE115	550A	55000	325000	435000	110
	109M6744	KSM3-630A/1250VAC3FKE115	630A	83500	495000	665000	115
	109M6745	KSM3-700A/1250VAC3FKE115	700A	115000	705000	940000	120
	109M6746	KSM3-800A/1250VAC3FKE115	800A	205000	995000	1300000	125
	109M6747	KSM3-900A/1250VAC3FKE115	900A	305000	1500000	1900000	130
	109M6748	KSM3-1000A/1250VAC3FKE115	1000A	450000	2150000	2750000	135
	109M6749	KSM3-1100A/1250VAC3FKE115	1100A	575000	2800000	3600000	140
	109M6750	KSM3-1250A/1100VAC3FKE115	1250A	810000	3950000	4100000	145
	109M6751	KSM3-1400A/1100VAC3FKE115	1400A	1250000	6000000	7300000	150

Dimensions(mm) 安装示意图:

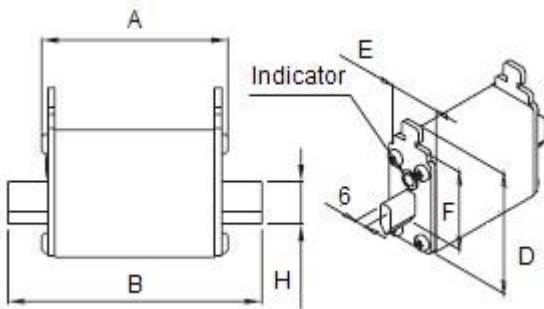


Size	Type : -FKE/115 安装尺寸图 Dimensions(mm)								
Size	A	B	C1	C2	D	E	F	G	L
0	74	20	130	101	10	43	6	58	156
1	74	25	127	102	14	51	6	66	160
2	74	25	127	102	14	60	6	75	160
3	74	39	128	101	16	75	6	91	159

Main Characteristics 主要技术参数 电压等级:900V~1000VAC 电流范围: from 20A to 225A 类别: aR

Size 瓷管	Catalog numbers 订货号	Designation type 型号规格	Electrical Characteristics 电气特性				
			Voltage 电压(V)	Ampere 电流(A)	Pre-arcing 弧前 I ² t (A ² s)	Total 熔断 I ² t@UnA ² s)	Power 功耗 P _n (W)
00	107M2673	KH00-20A/1000VACDIN00	1000VAC	20A	15	110	8.5
	107M2674	KH00-25A/1000VACDIN00	1000VAC	25A	28.5	210	9.5
	107M2675	KH00-32A/1000VACDIN00	1000VAC	32A	53	390	11
	107M2676	KH00-35A/1000VACDIN00	1000VAC	35A	69	500	12
	107M2677	KH00-40A/1000VACDIN00	1000VAC	40A	105	760	13
	107M2678	KH00-50A/1000VACDIN00	1000VAC	50A	215	1550	14
	107M2679	KH00-63A/1000VACDIN00	1000VAC	63A	380	2750	16
	107M2680	KH00-80A/1000VACDIN00	1000VAC	80A	815	5900	18
	107M2681	KH00-100A/1000VACDIN00	1000VAC	100A	1550	11500	21
	107M2682	KH00-125A/1000VACDIN00	1000VAC	125A	3000	22000	23
	107M2683	KH00-160A/1000VACDIN00	1000VAC	160A	6250	45000	26
	107M2684	KH00-200A/1000VACDIN00	900VAC	200A	12000	86500	31
	107M2685	KH00-225A/1000VACDIN00	900VAC	225A	18000	115000	33
0	107M3040	KH0-20A/1000VACDIN0	1000VAC	20A	12	90	9
	107M3041	KH0-25A/1000VACDIN0	1000VAC	25A	24	150	10
	107M3042	KH0-32A/1000VACDIN0	1000VAC	32A	40	290	12
	107M3043	KH0-35A/1000VACDIN0	1000VAC	35A	58	400	14
	107M3044	KH0-40A/1000VACDIN0	1000VAC	40A	85	560	15
	107M3045	KH0-50A/1000VACDIN0	1000VAC	50A	195	1050	16
	107M3046	KH0-63A/1000VACDIN0	1000VAC	63A	280	2050	17
	107M3047	KH0-80A/1000VACDIN0	1000VAC	80A	615	4900	19
	107M3048	KH0-100A/1000VACDIN0	1000VAC	100A	950	10500	23
	107M3049	KH0-125A/1000VACDIN0	1000VAC	125A	1900	17000	25
	1107M3050	KH0-160A/1000VACDIN0	1000VAC	160A	4550	33000	27
	107M3051	KH0-200A/1000VACDIN0	900VAC	200A	9000	73500	33
	107M3052	KH0-225A/1000VACDIN0	900VAC	225A	11000	105000	35

Dimensions(mm) 安装示意图:



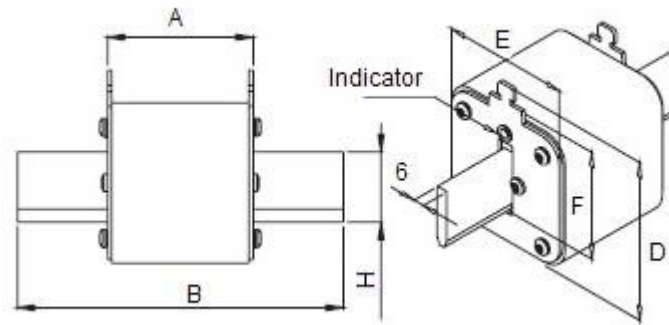
size	A	B	D	E	F	G	H
KH00	49	78.5	60	30	35	6	15
KH0	67	124.5	60	30	40	6	15

Main Characteristics 主要技术参数: 电压等级: 1000VAC 电流范围: from 50A to 2000A 类别: aR

Size 瓷管 代号	Catalog Numbers 订货号	Designation Type 型号规格	Electrical Characteristics 电气特性				
		DIN Type 刀型结构	Ampere 电流(A)	Voltage 电压(V)	Pre-arcing 弧 前 I ² t (A ² S)	Total 熔断 I ² t @1000V(A ² S)	Watts Loss 功(W)
1	107M4860	KH1-50A/1000VAC DIN1 aR100KA	50A	1000VAC	135	815	20
	107M4861	KH1-63A/1000VAC DIN1 aR100KA	63A	1000VAC	215	1300	25
	107M4862	KH1-80A/1000VAC DIN1 aR100KA	80A	1000VAC	460	2750	30
	107M4863	KH1-100A/1000VAC DIN1 aR100KA	100A	1000VAC	860	5100	35
	107M4864	KH1-125A/1000VAC DIN1 aR100KA	125A	1000VAC	1450	8600	40
	107M4865	KH1-160A/1000VAC DIN1 aR100KA	160A	1000VAC	2850	17500	45
	107M4866	KH1-200A/1000VAC DIN1 aR100KA	200A	1000VAC	4950	29500	48
	107M4867	KH1-250A/1000VAC DIN1 aR100KA	250A	1000VAC	9550	57000	50
	107M4868	KH1-315A/1000VAC DIN1 aR100KA	315A	1000VAC	21500	130000	60
	107M4869	KH1-350A/1000VAC DIN1 aR100KA	350A	1000VAC	29000	175000	65
2	107M5860	KH2-160A/1000VAC DIN2 aR100KA	160A	1000VAC	2200	13500	40
	107M5861	KH2-200A/1000VAC DIN2 aR100KA	200A	1000VAC	4150	24500	45
	107M5862	KH2-250A/1000VAC DIN2 aR100KA	250A	1000VAC	7750	46000	52
	107M5863	KH2-315A/1000VAC DIN2 aR100KA	315A	1000VAC	16500	98500	60
	107M5864	KH2-350A/1000VAC DIN2 aR100KA	350A	1000VAC	21500	130000	65
	107M5865	KH2-400A/1000VAC DIN2 aR100KA	400A	1000VAC	31000	185000	70
	107M5866	KH2-450A/1000VAC DIN2 aR100KA	450A	1000VAC	44500	265000	80
	107M5867	KH2-500A/1000VAC DIN2 aR100KA	500A	1000VAC	63000	375000	85
	107M5868	KH2-550A/1000VAC DIN2 aR100KA	550A	1000VAC	84500	500000	90
3	107M6860	KH3-315A/1000VAC DIN3 aR100KA	315A	1000VAC	13500	81500	75
	107M6861	KH3-350A/1000VAC DIN3 aR100KA	350A	1000VAC	16500	99000	80
	107M6862	KH3-400A/1000VAC DIN3 aR100KA	400A	1000VAC	26000	155000	85
	107M6863	KH3-450A/1000VAC DIN3 aR100KA	450A	1000VAC	35500	210000	90
	107M6864	KH3-500A/1000VAC DIN3 aR100KA	500A	1000VAC	49500	295000	95
	107M6865	KH3-550A/1000VAC DIN3 aR100KA	550A	1000VAC	66000	390000	100
	107M6866	KH3-630A/1000VAC DIN3 aR100KA	630A	1000VAC	93500	555000	110
	107M6867	KH3-700A/1000VAC DIN3 aR100KA	700A	1000VAC	130000	770000	115
4	107M9870	KH4-800A/1000VAC DIN4 aR100KA	800A	1000VAC	150000	950000	135
	107M9871	KH4-900A/1000VAC DIN4 aR100KA	900A	1000VAC	210000	1300000	145
	107M9872	KH4-1000A/1000VAC DIN4 aR100KA	1000A	1000VAC	290000	1850000	160
	107M9873	KH4-1250A/1000VAC DIN4 aR100KA	1250A	1000VAC	380000	2850000	180
	107M9874	KH4-1400A/1000VAC DIN4 aR100KA	1400A	1000VAC	630000	4250000	220
	107M9875	KH4-1500A/1000VAC DIN4 aR100KA	1500A	1000VAC	740000	4960000	260
	107M9876	KH4-1600A/1000VAC DIN4 aR100KA	1600A	1000VAC	990000	6600000	270
	107M9877	KH4-1800A/1000VAC DIN4 aR100KA	1800A	1000VAC	1250000	8600000	280
	107M9878	KH4-2000A/1000VAC DIN4 aR100KA	2000A	1000VAC	1420000	10600000	300

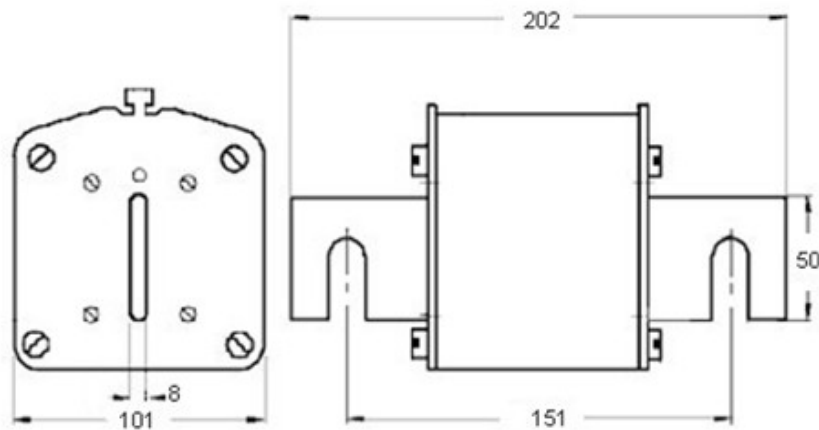
Main Characteristics 主要技术参数: 电压等级: 1000VAC 电流范围: from 50A to 2000A 类别: aR

Dimensions(mm) 安装示意图



Type: DIN1、DIN2、DIN3 尺寸示意图						
size	A	B	D	E	F	H
1	68	135	66	52	40	20
2	68	150	74	60	48	25
3	68	150	89	75	60	32

Dimensions 安装尺寸图 (mm) :



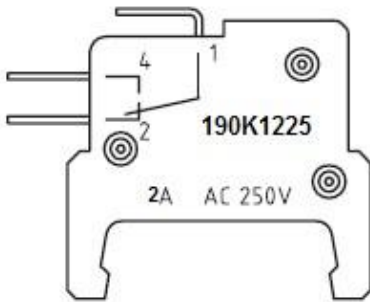
DIN4 Fuse link 熔体



Main Characteristics 主要技术参数: 电压等级:24V~250VAC/DC 电流范围: from 1A to 2A

Rated Voltage AC 250 V

M-Switch For Fuse-Links with Adapter / For Micro Switch Fitting 190K1225 微动开关 (一长开一长闭)



Rated Voltage	Breaking Capacity	
	Non Inductive Load	Inductive Load
AC 250 V	2 A	2 A

Rated Voltage	Breaking Capacity	
	Non Inductive Load	Inductive Load (L/R = 25 ms)
DC 250 V	200 mA	100 mA
DC 60 V	1 A	500 mA
DC 24 V	1.5 A	1.5 A

