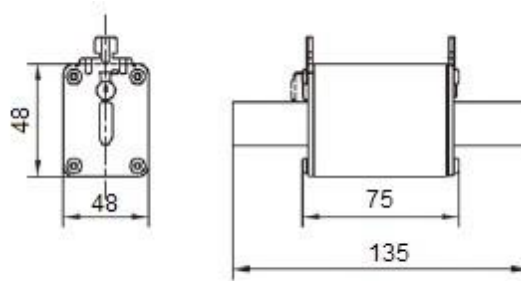


Main Characteristics 技术参数: 1000VDC Square-body 方形DIN1 电流: from 50A to 160 A

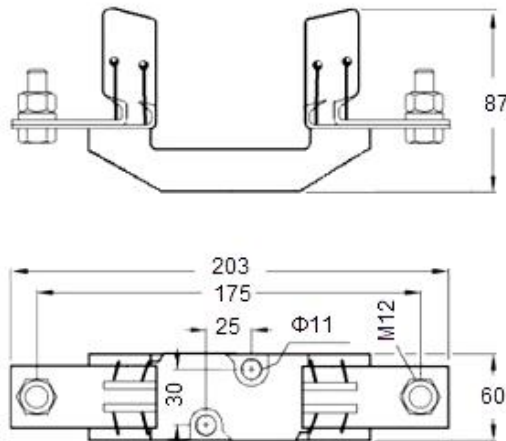
- Standards/Approvals 执行标准: Manufactured in accordance with IEC 60269-6.
- Ratings 等级:
Volts 电压: 1000Vdc Amps 电流: 50 to 160A,
- Breaking Capacity 分断能力:
10kA dc IEC. Time constant 时间常数(L/R): Under 1~3ms.
- IPV Fuse Link Coordination with: 4", 5" & 6" solar cells 用于4", 5" & 6" 光伏电池保护
- Modular fuse holder 光伏底座: KBZ1



Dimensions(mm) 安装示意图: DIN1



fuse link



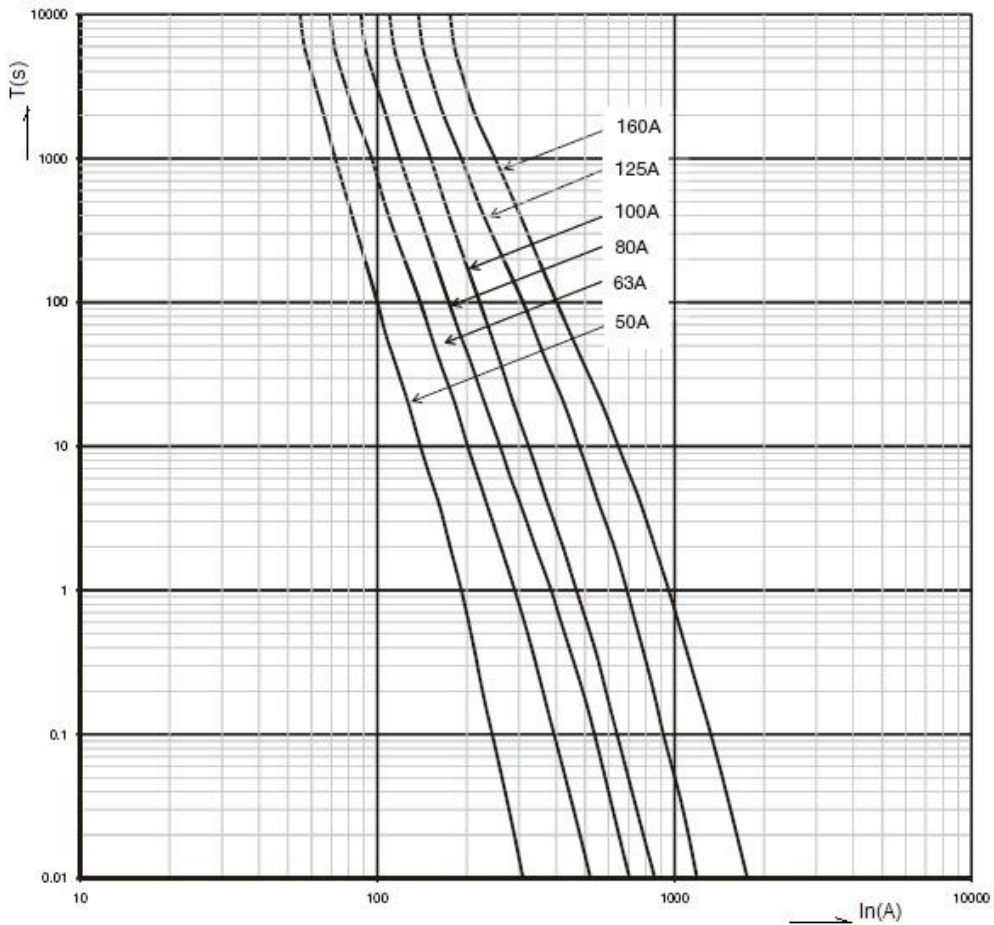
KBZ1- fuse holders 敞开式底座



Main Characteristics 技术参数: 1000VDC Square-body 方形DIN1 电流: from 50A to 160 A

Catalog Number 订货号	Cross Reference 型号规格	Current Rating 电 流 (A)	Watts loss 功耗		Pre-arcing 弧前 I^2t -value (A ² S)	Total熔 断 I^2t -value (A ² S)	Breaking Capacity 分断能力	
			0.8 I _n	I _n				
DIN1	109PV4801	KHD1-50A/1000VDCgR50KA	50A	5.6	11	159	1431	50KA @DC1000V 1ms~3ms
	109PV4802	KHD1-63A/1000VDCgR50KA	63A	6.1	12	467	4203	
	109PV4803	KHD1-80A/1000VDCgR50KA	80A	7.9	15.5	638	5742	
	109PV4804	KHD1-100A/1000VDCgR50KA	100A	9.2	16.5	1300	11700	
	109PV4805	KHD1-125A/1000VDCgR50KA	125A	9.8	17.5	2547	22923	
	109PV4806	KHD1-160A/1000VDCgR50KA	160A	11.2	22	5198	46782	

Time vs. current characteristics 时间电流常数:



Above: Curves indicate, for each rated current, pre-arcing time vs. R.M.S. pre-arcing current.

Main Characteristics 技术参数: 1000V~1500V DC Square-body 电流: from 50A to 630A

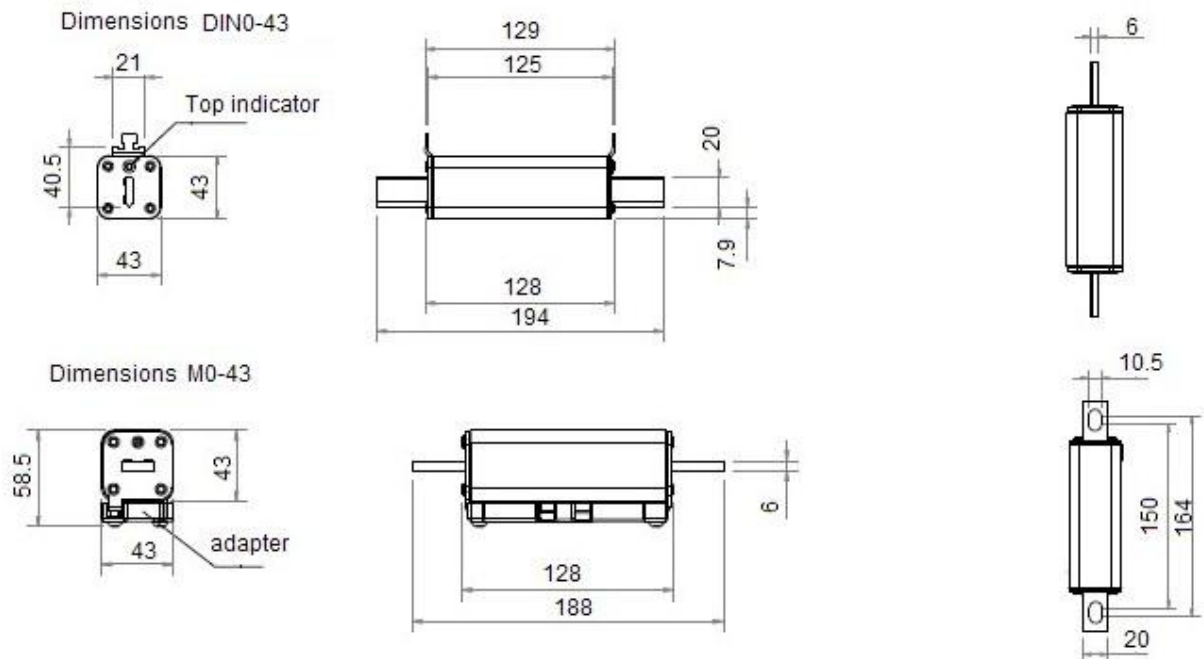
- Standards/Approvals 执行标准: Manufactured in accordance with IEC 60269-6.
- Ratings: 等级
Volts 电压: 1000Vdc Amps 电流: 63A to 630A,
Volts 电压: 1200Vdc Amps 电流: 160A,
Volts 电压: 1500Vdc Amps 电流: 50A to 400A,
- Breaking Capacity 分断能力:
30 KA 电压DC1000V 时间常数 L/R=10ms Amps 电流: 63A to 630A,;
15 KA 电压DC1200V 时间常数 L/R=10ms Amps 电流: 160A,;
15 KA 电压DC1500V 时间常数 L/R=10ms Amps: 50A to 400A,
- IPV Fuse Link Coordination with: 4", 5" & 6" solar cells 用于4", 5" & 6" 光伏电池保护
- Modular fuse holder 光伏底座: KBZ112



Main Characteristics 技术参数: 1000VDC Square-body 方形 电流: from 50A to 240A

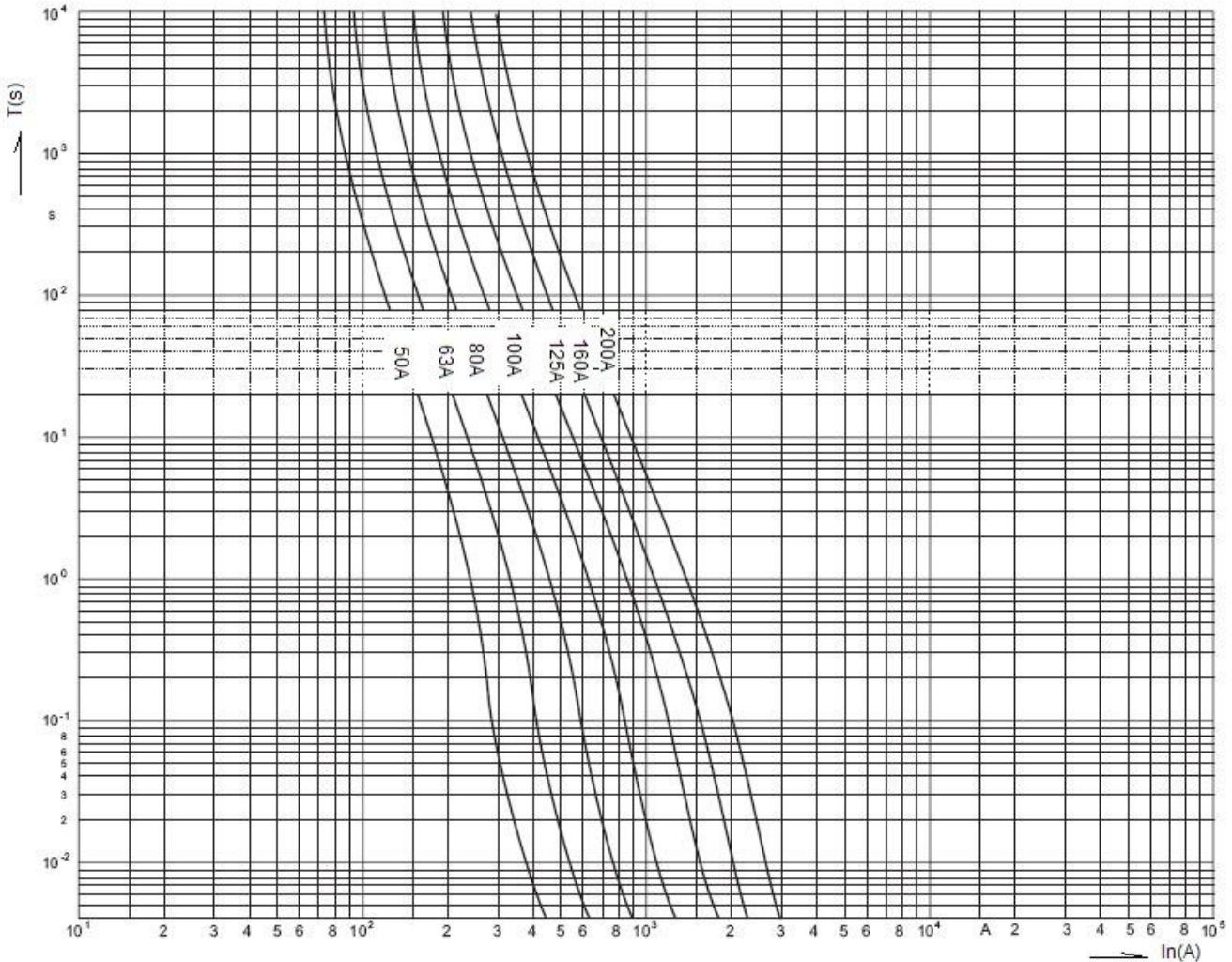
Catalog Number 订货号	Cross Reference 型号规格	Current Rating 电流 (A)	Watts loss 功耗		Pre-arcing 弧前 I^2t -value (A ² S)	Total 熔断 I^2t -value (A ² S)	Breaking Capacity 分断能力	
			0.8 I_n	I_n				
DIN0-43	109PV4301	KHD43-50A/1000VDCgR30KA	50A	5.6	12	480	3200	30 kA DC1000V L/R=10ms
	109PV4302	KHD43-63A/1000VDCgR30KA	63A	6.1	14	900	6200	
	109PV4303	KHD43-80A/1000VDCgR30KA	80A	7.9	16	1900	13000	
	109PV4304	KHD43-100A/1000VDCgR30KA	100A	9.2	19	3600	24500	
	109PV4305	KHD43-125A/1000VDCgR30KA	125A	9.8	21	6700	45400	
	109PV4306	KHD43-160A/1000VDCgR30KA	160A	15	30	11200	76500	
	109PV4307	KHD43-200A/1000VDCgR30KA	200A	17	34	20000	144000	
	109PV4308	KHD43-240A/1000VDCgR30KA	240A	18.5	37	28000	174000	
M0-43	109PV4311	KMD43-50A/1000VDCgR30KA	50A	5.6	12	480	3200	30 kA DC1000V L/R=10ms
	109PV4312	KMD43-63A/1000VDCgR30KA	63A	6.1	14	900	6200	
	109PV4313	KMD43-80A/1000VDCgR30KA	80A	7.9	16	1900	13000	
	109PV4314	KMD43-100A/1000VDCgR30KA	100A	9.2	19	3600	24500	
	109PV4315	KMD43-125A/1000VDCgR30KA	125A	9.8	21	6700	45400	
	109PV4316	KMD43-160A/1000VDCgR30KA	160A	15	30	11200	76500	
	109PV4317	KMD43-200A/1000VDCgR30KA	200A	17	34	20000	144000	
	109PV4318	KMD43-240A/1000VDCgR30KA	240A	18.5	37	28000	174000	

Dimensions(mm) 安装示意图:



Main Characteristics 技术参数: 1000VDC Square-body 方形 电流: from 50A to 240A

Time vs. current characteristics 时间电流常数:



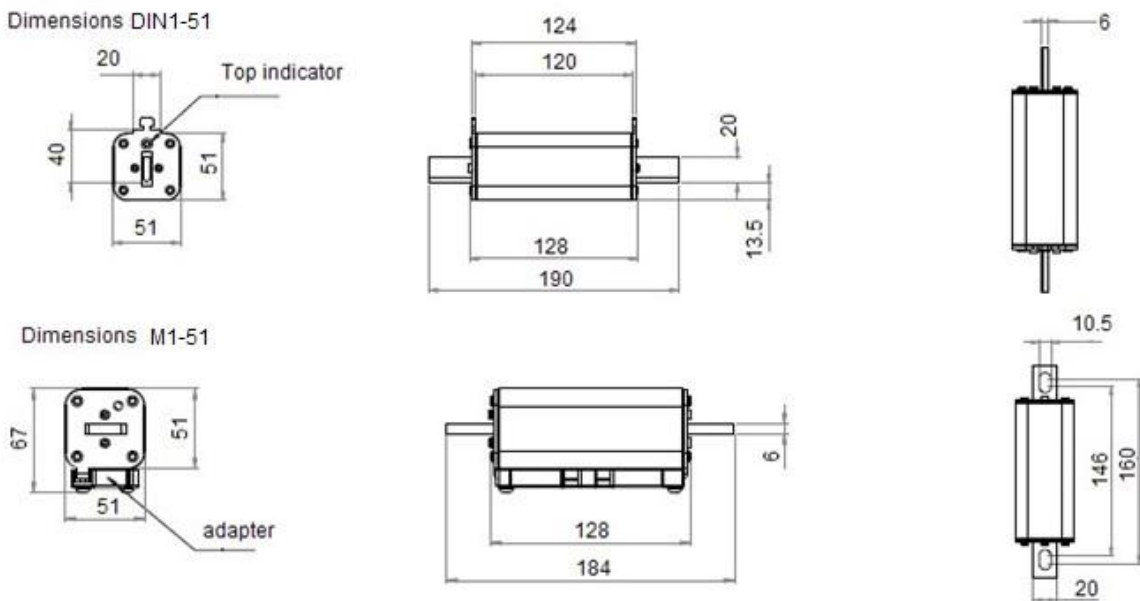
Above: Curves indicate, for each rated current, pre-arcing time vs. R.M.S. pre-arcing current.



Main Characteristics 技术参数: 1000VDC Square-body 方形 电流: from 200A to 630A

Catalog Number 订货号	Cross Reference 产品型号规格	Current rating 电流 (A)	Watts loss 功耗		Pre-arcing 弧前 I^2t -value (A ² S)	Total 熔断 I^2t -value (A ² S)	Breaking Capacity 分断能力(L/R)	
			0.8 I _n	I _n				
DIN1-51	109PV5101	KHD51-200A/1000VDCgR30KA	200A	31	60	9400	27260	30K A DC1000V L/R=10ms
DIN2-60	109PV6001	KHD60-200A/1000VDCgR30KA	200A	29	62	4150	31000	
	109PV6002	KHD60-250A/1000VDCgR30KA	250A	35	70	7721	57000	
	109PV6003	KHD60-315A/1000VDCgR30KA	315A	40	75	17600	130000	
DIN3-74	109PV7501	KHD74-350A/1000VDCgR30KA	350A	41	90	30885	160700	30 KA DC1000V L/R=10ms
	109PV7502	KHD74-400A/1000VDCgR30KA	400A	63	100	44000	230000	
	109PV7503	KHD74-500A/1000VDCgR30KA	500A	71	138	48300	251200	
	109PV7504	KHD74-630A/1000VDCgR30KA	630A	92	180	100000	520000	
M1-51	109PV5111	KMD51-200A/1000VDCgR30KA	200A	31	60	9400	27260	30 KA DC1000V L/R=10ms
M2-60	109PV6011	KMD60-200A/1000VDCgR30KA	200A	29	62	4150	31000	
	109PV6012	KMD60-250A/1000VDCgR30KA	250A	35	70	7721	57000	
	109PV6013	KMD60-315A/1000VDCgR30KA	315A	40	75	17600	130000	
M3-74	109PV7511	KMD74-350A/1000VDCgR30KA	350A	41	90	30885	160700	30 KA DC1000V L/R=10ms
	109PV7512	KMD74-400A/1000VDCgR30KA	400A	63	100	44000	230000	
	109PV7513	KMD74-500A/1000VDCgR30KA	500A	71	138	48300	251200	
	109PV7514	KMD74-630A/1000VDCgR30KA	630A	92	180	100000	520000	

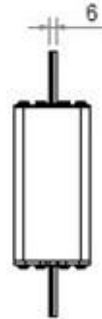
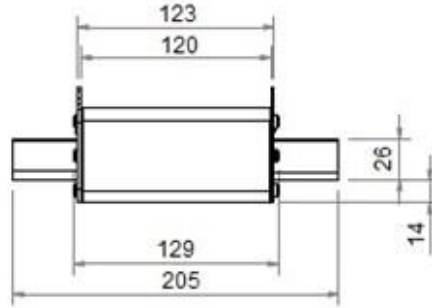
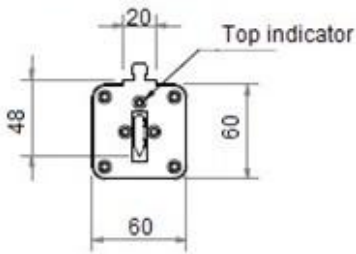
Dimensions(mm) 安装示意图:



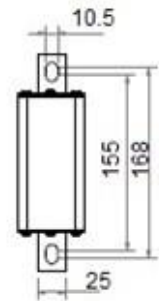
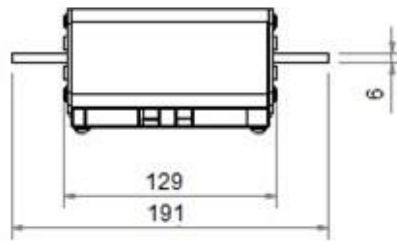
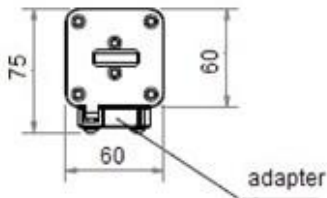
Main Characteristics 技术参数: 1000VDC Square-body 方形 电流: from 200A to 630A

Dimensions(mm) 安装示意图:

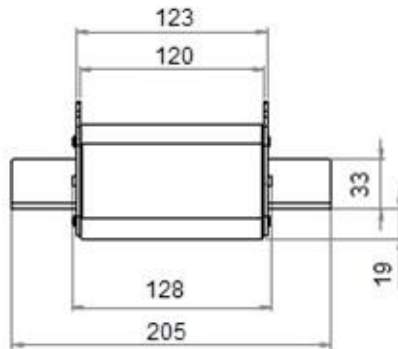
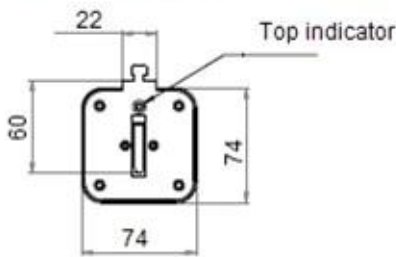
Dimensions DIN2-60



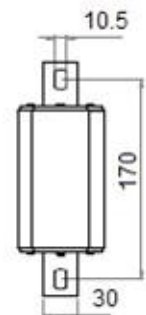
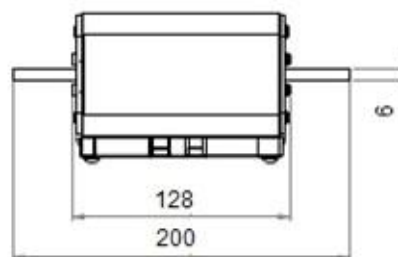
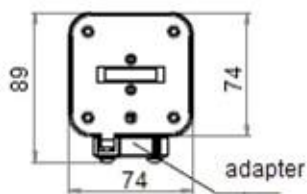
Dimensions M2-60



Dimensions DIN3-74

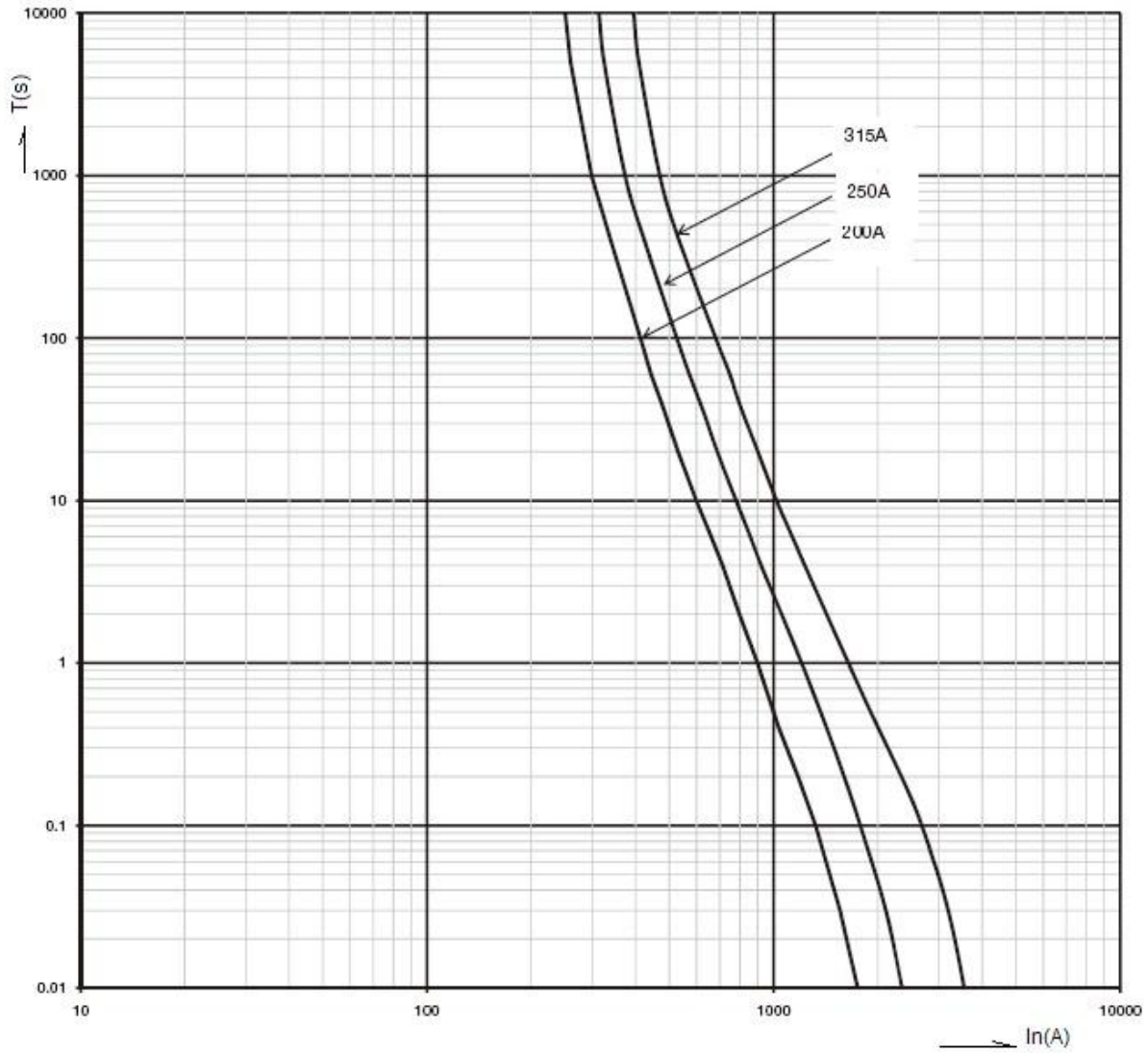


Dimensions M3-74



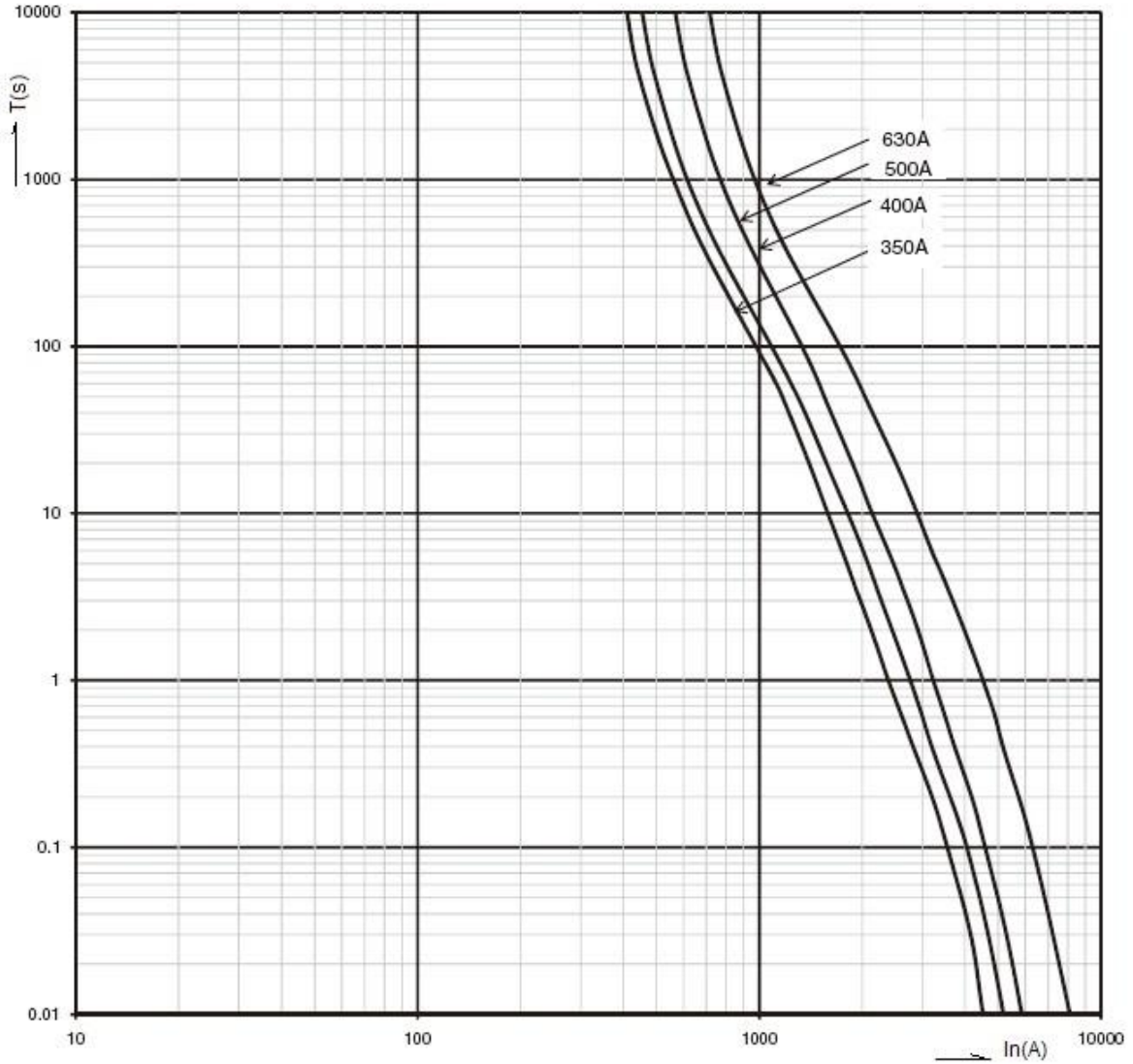
Main Characteristics 技术参数: 1000VDC Square-body 方形 电流: from 200A to 630A

Time vs. current characteristics 时间电流常数:



Main Characteristics 技术参数: 1000VDC Square-body 方形 电流: from 200A to 630A

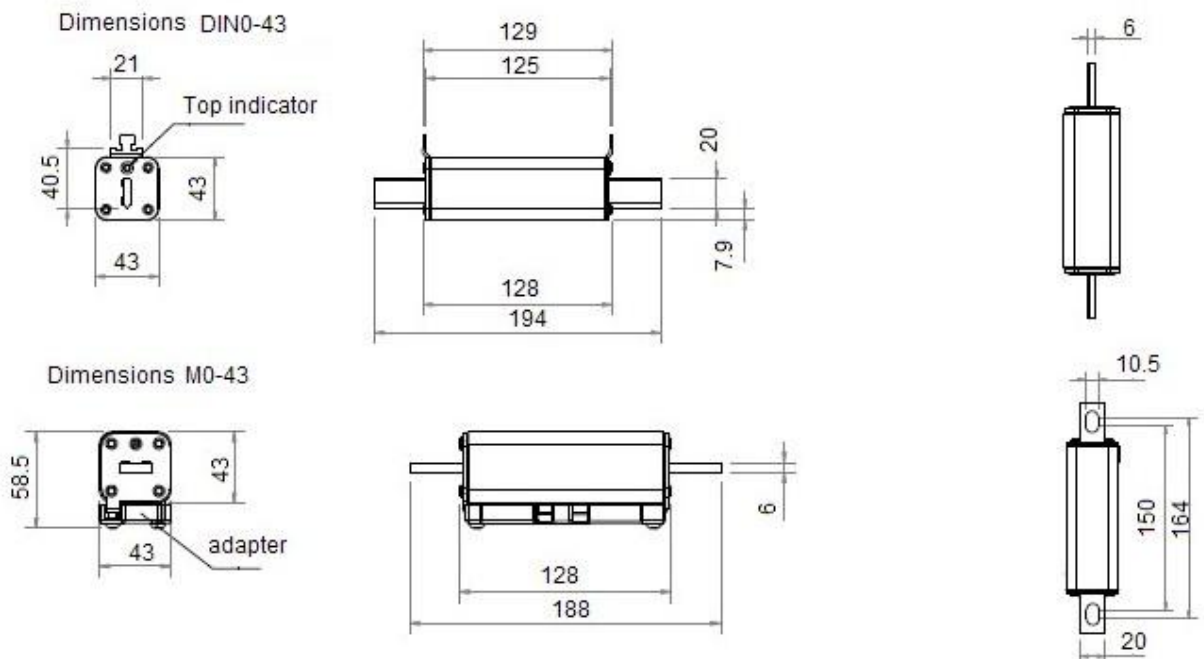
Time vs. current characteristics 时间电流常数:



Main Characteristics 技术参数: 1200V、1500VDC Square-body 电流: from 50A to 240A

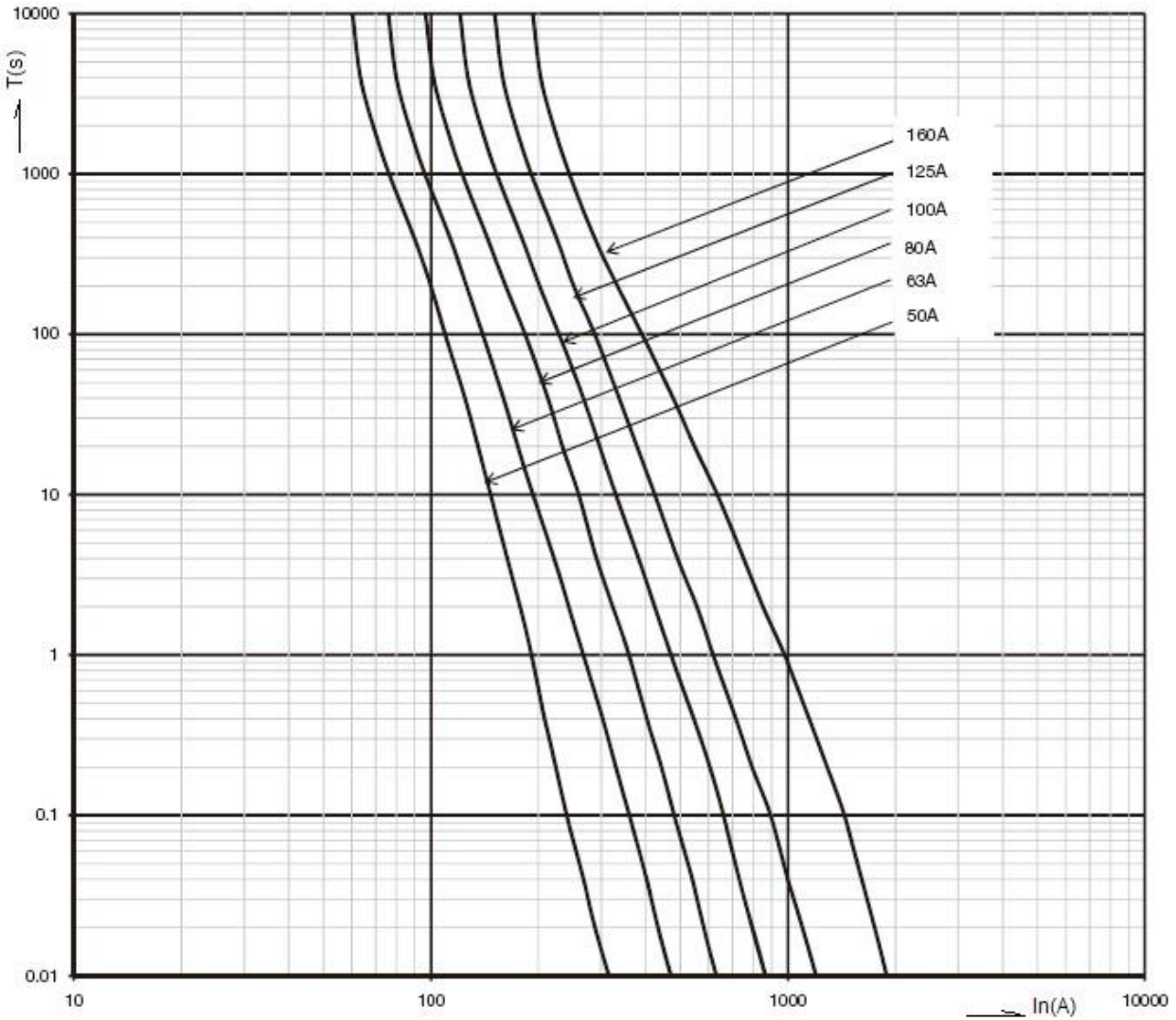
Catalog Number 订货号	Cross Reference 型号规格	Current rating 电流 (A)	Watts Loss 功耗		Pre-arcing 弧前 I^2t -value (A ² S)	Total 熔 I^2t -value (A ² S)	Breaking Capacity 分断能力(L/R)	
			0.8 In	In				
DIN0-43	109PV4321	KHD43-50A/1500VDCgR15KA	50A	15	29	320	550	15 KA
	109PV4322	KHD43-63A/1500VDCgR15KA	63A	15	30	480	1250	DC1500V
	109PV4323	KHD43-80A/1500VDCgR15KA	80A	18	36	640	2200	L/R=10ms
	109PV4324	KHD43-100A/1500VDCgR15KA	100A	20	40	1050	4100	
	109PV4325	KHD43-125A/1500VDCgR15KA	125A	26	50	2000	7700	
	109PV4326	KHD43-160A/1200VDCgR15KA	160A	24	48	4950	19000	15 KA DC1200V L/R=10ms
M0-43	109PV4331	KMD43-50A/1500VDCgR30KA	50A	15	29	320	550	15 KA
	109PV4332	KMD43-63A/1500VDCgR30KA	63A	15	30	480	1250	DC1500V
	109PV4333	KMD43-80A/1500VDCgR30KA	80A	18	36	640	2200	L/R=10ms
	109PV4334	KMD43-100A/1500VDCgR30KA	100A	20	40	1050	4100	
	109PV4335	KMD43-125A/1500VDCgR30KA	125A	26	50	2000	7700	
	109PV4336	KMD43-160A/1200VDCgR30KA	160A	24	48	4950	19000	15 KA DC1200V L/R=10ms

Dimensions(mm) 安装示意图:



Main Characteristics 技术参数: 1200V、1500VDC Square-body 电流: from 50A to 240A

Time vs. current characteristics 时间电流常数:



Above: Curves indicate, for each rated current, pre-arcing time vs. R.M.S. pre-arcing current.



Main Characteristics 技术参数: 1500VDC Square-body 方形 电流: from 100A to 400A

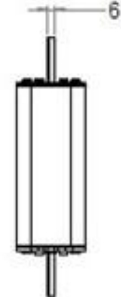
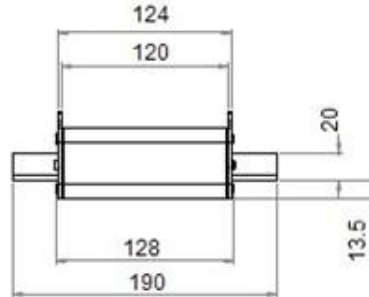
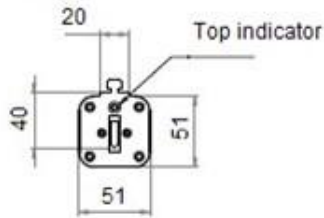
Catalog Number 订货号	Cross Reference 型号规格	Current rating	Watts Loss 功耗		Pre-arcing 弧前 I^2t -value	Total 熔断 I^2t -value	Breaking Capacity (L/R)分断能力	
		电流 (A)	0.8 In	In	(A ² S)	(A ² S)		
DIN1-51	109PV5121	KHD51-100A/1500VDCgR15KA	100A	24	43	1250	6000	15 KA
	109PV5122	KHD51-125A/1500VDCgR15KA	125A	25	52	1950	9360	DC1500V
	109PV5123	KHD51-160A/1500VDCgR15KA	160A	30	58	4200	20160	L/R=10ms
	109PV5124	KHD51-200A/1500VDCgR15KA	200A	31	60	9400	45120	
DIN2-60	109PV6021	KHD60-125A/1500VDCgR15KA	125A	19	37	2200	11000	15 KA
	109PV6022	KHD60-160A/1500VDCgR15KA	160A	26	51	4200	21000	DC1500V
	109PV6023	KHD60-200A/1500VDCgR15KA	200A	28	54	9300	46000	L/R=10ms
	109PV6024	KHD60-250A/1500VDCgR15KA	250A	32	63	16700	82000	
DIN3-74	109PV7521	KHD74-250A/1500VDCgR15KA	250A	35	60	25000	77000	15 KA
	109PV7522	KHD74-315A/1500VDCgR15KA	315A	50	90	39000	119000	DC1500V
	109PV7523	KHD74-355A/1500VDCgR15KA	355A	75	140	44500	136000	L/R=10ms
	109PV7524	KHD74-400A/1500VDCgR15KA	400A	90	160	56000	171000	
M1-51	109PV5131	KMD51-100A/1500VDCgR15KA	200A	35	60	9400	27260	15 KA
	109PV5132	KMD51-125A/1500VDCgR15KA	100A	24	43	1250	6000	DC1500V
	109PV5133	KMD51-160A/1500VDCgR15KA	125A	25	52	1950	9360	L/R=10ms
	109PV5134	KMD51-200A/1500VDCgR15KA	160A	30	58	4200	20160	
M2-60	109PV6031	KMD60-125A/1500VDCgR15KA	200A	31	60	9400	45120	15 KA
	109PV6032	KMD60-160A/1500VDCgR15KA	125A	19	37	2200	11000	DC1500V
	109PV6033	KMD60-200A/1500VDCgR15KA	160A	26	51	4200	21000	L/R=10ms
	109PV6034	KMD60-250A/1500VDCgR15KA	200A	28	54	9300	46000	
M3-74	109PV7531	KMD74-250A/1500VDCgR15KA	250A	35	60	25000	77000	15 KA
	109PV7532	KMD74-315A/1500VDCgR15KA	315A	50	90	39000	119000	DC1500V
	109PV7533	KMD74-355A/1500VDCgR15KA	355A	75	140	44500	136000	L/R=10ms
	109PV7534	KMD74-400A/1500VDCgR15KA	400A	90	160	56000	171000	



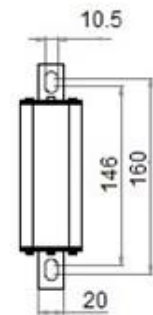
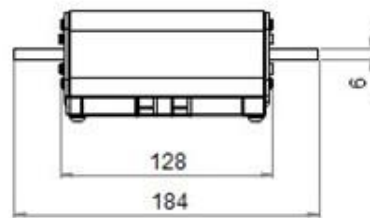
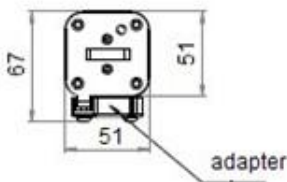
Main Characteristics 技术参数: 1500VDC Square-body 方形 电流: from 100A to 400A

Dimensions(mm) 安装示意图:

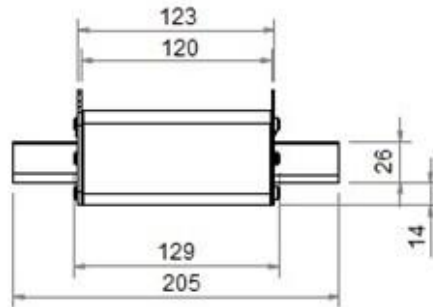
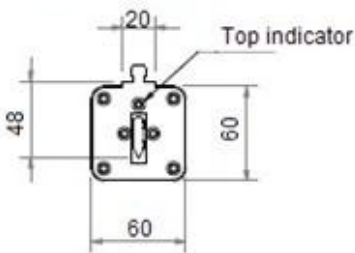
Dimensions DIN1-51



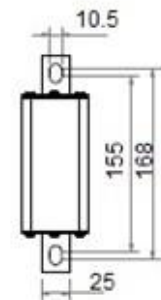
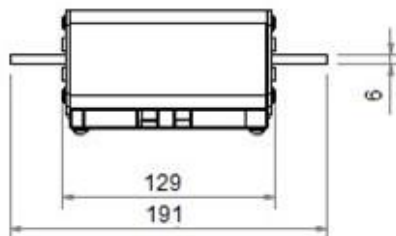
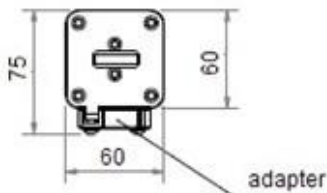
Dimensions M1-51



Dimensions DIN2-60

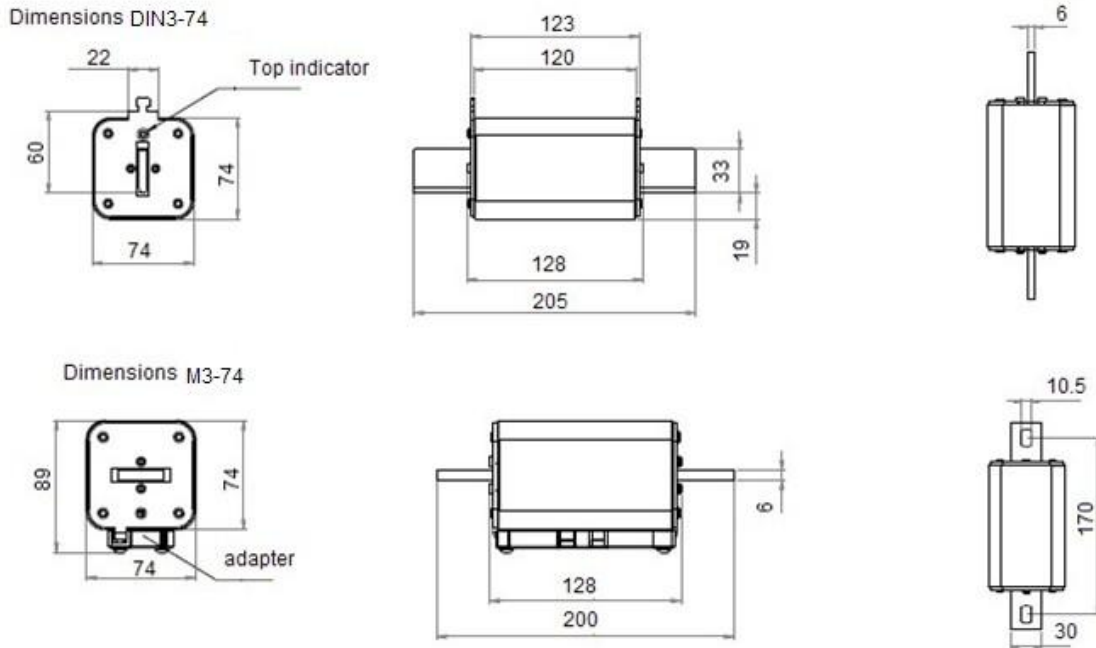


Dimensions M2-60



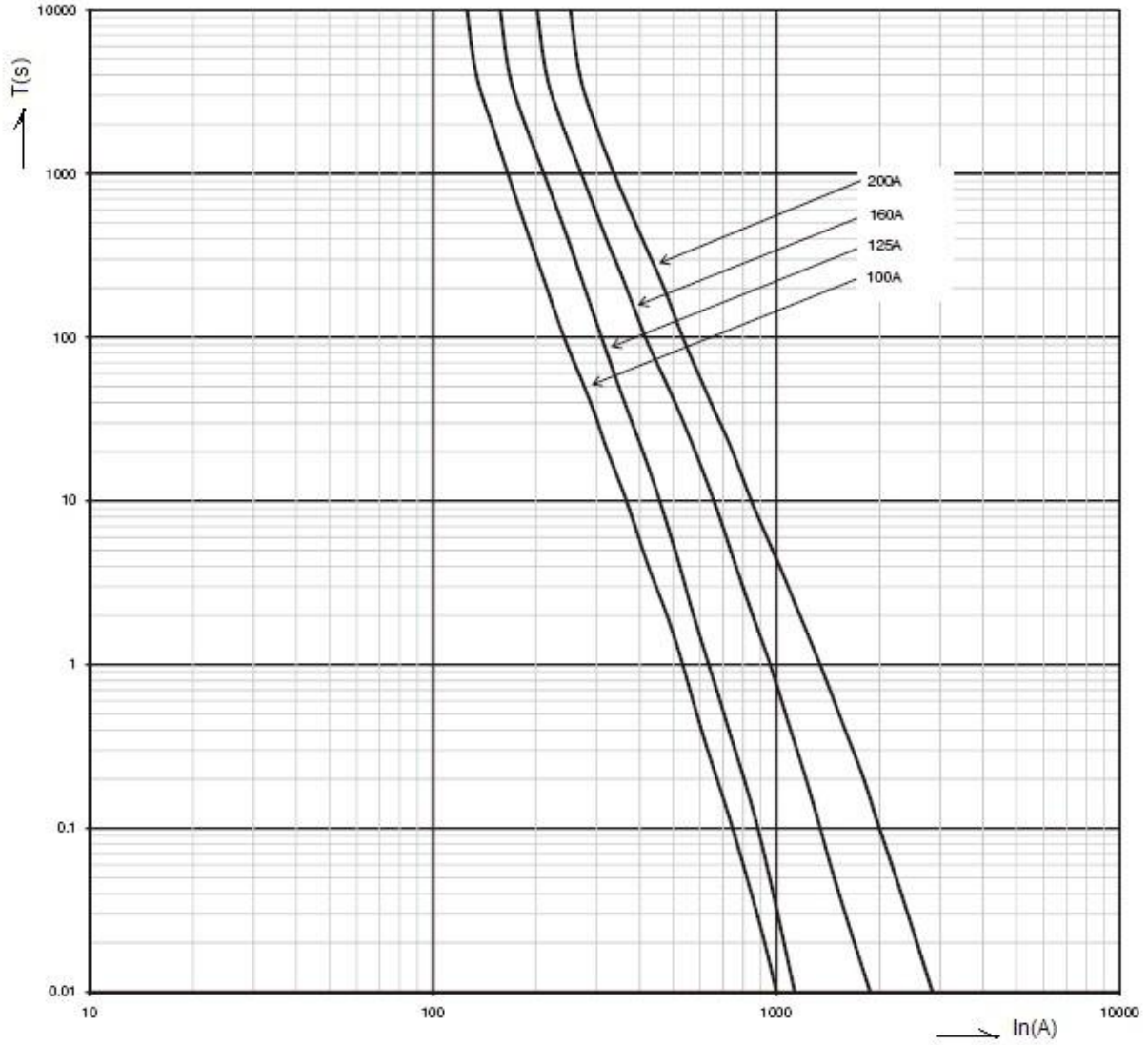
Main Characteristics 技术参数: 1500VDC Square-body 方形 电流: from 100A to 400A

Dimensions(mm) 安装示意图:



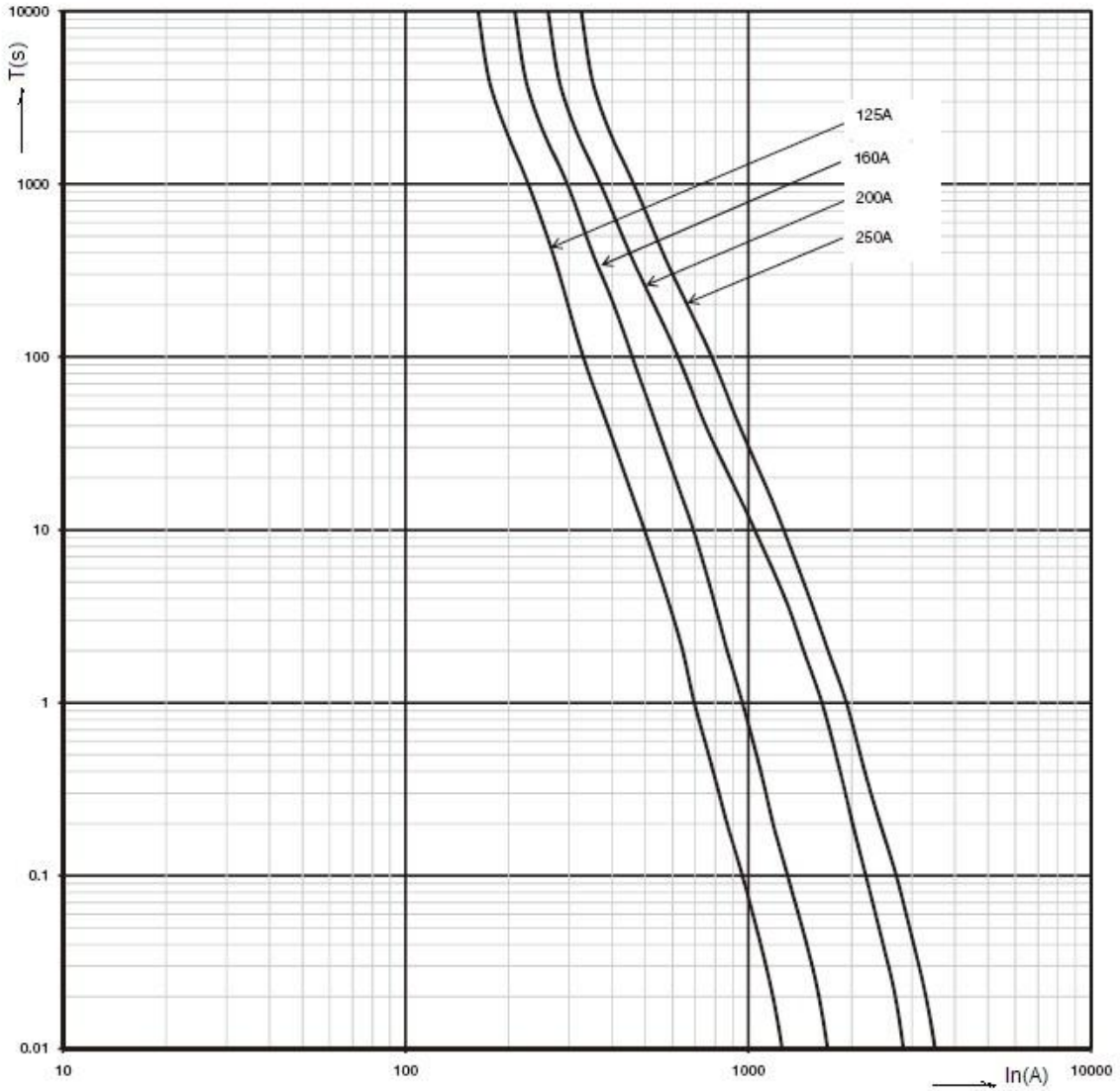
Main Characteristics 技术参数: 1500VDC Square-body 方形 电流: from 100A to 400A

Time vs. current characteristics 时间电流常数:



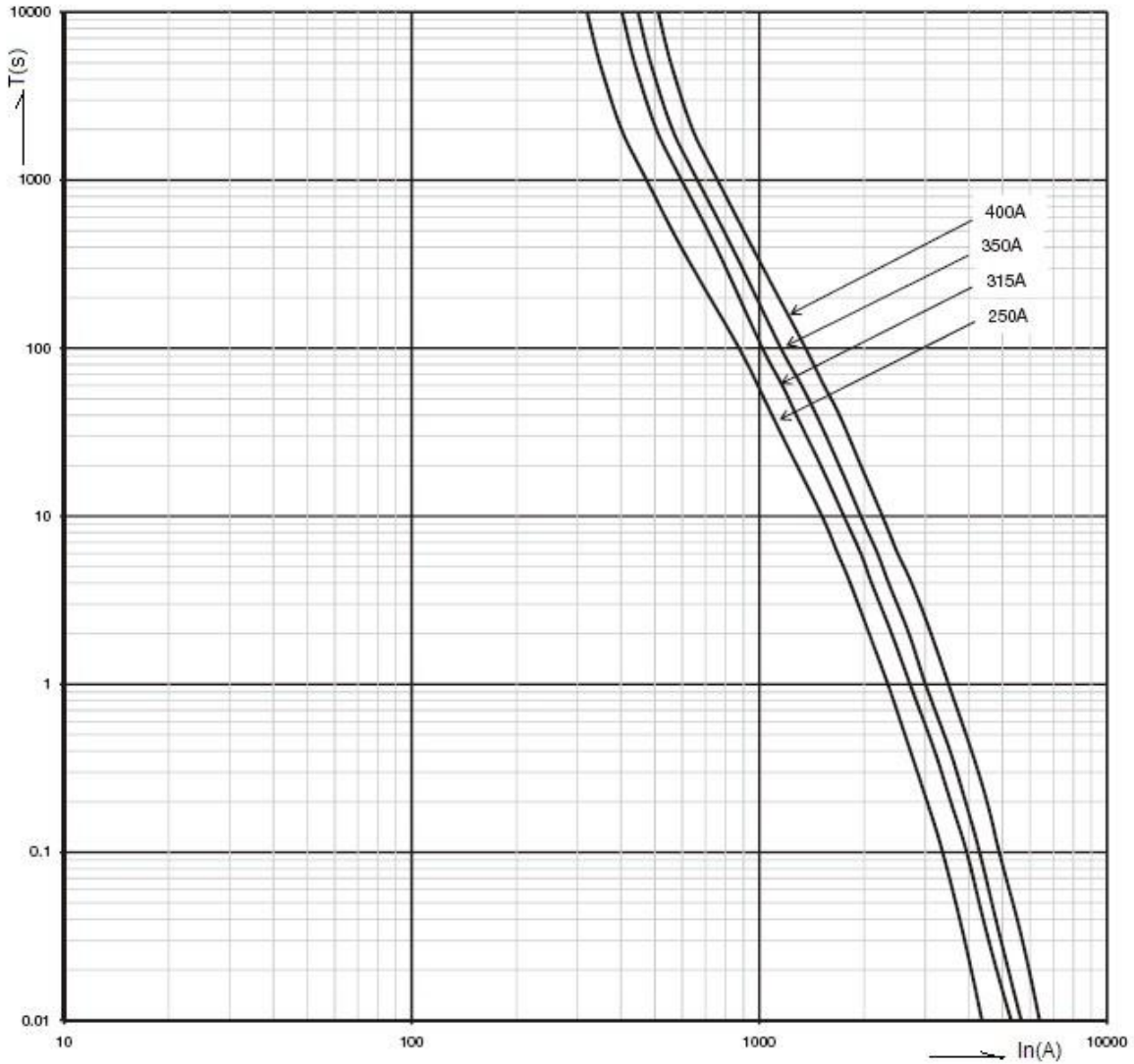
Main Characteristics 技术参数: 1500VDC Square-body 方形 电流: from 100A to 400A

Time vs. current characteristics 时间电流常数:

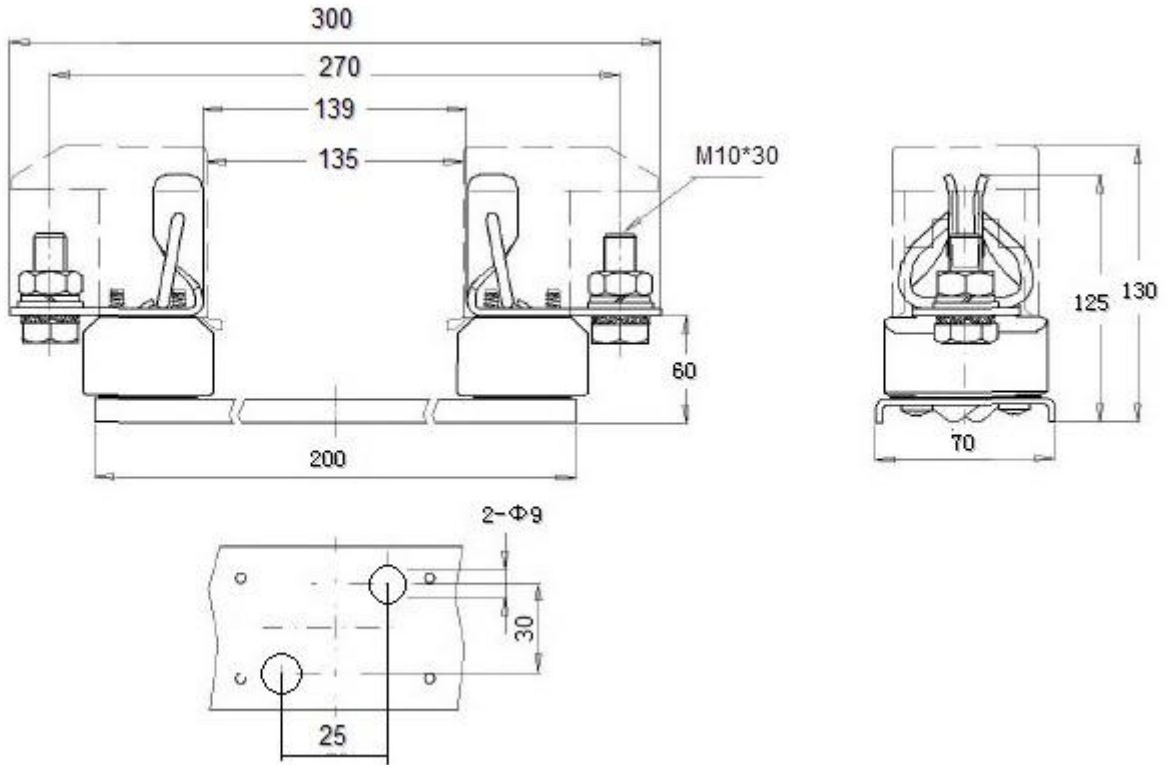


Main Characteristics 技术参数: 1500VDC Square-body 方形 电流: from 100A to 400A

Time vs. current characteristics 时间电流常数:



Main Characteristics 技术参数: 1500VDC Square-body Fuse holders 熔断器底座



KBZ112 fuse holder

